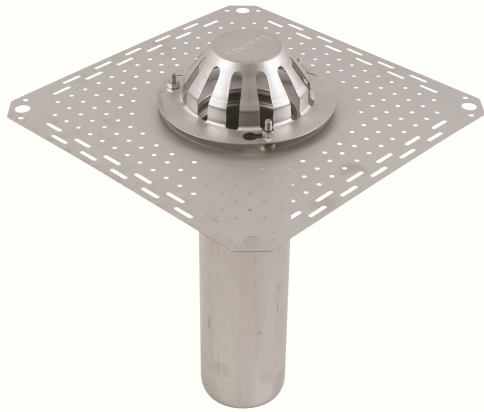


Data sheet

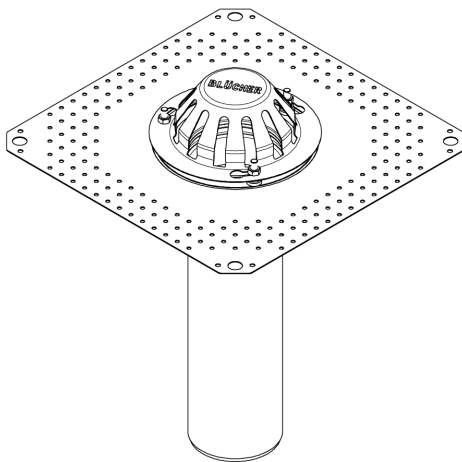
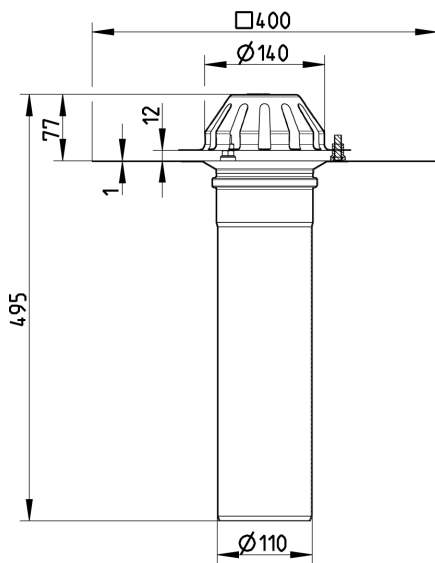


ROOF DRAIN FOR GRAVITY
- Roof: bitumen
- Flange: 400x400mm
- Outlet: Ø110mm, vertical
- Stainless steel: AISI304/EN1.4301

DATA

Type no.: 401.104.110
EAN no.: 5705499132755
VVS no.: 164100110
RSK no.:
NRF no.:
LVI no.: 3384520

Roof: Bitumen
System: Gravity
Outlet direction: Vertical
Outlet dia. (mm): 110
Weight (kg): 2,31
Material: AISI 304
Material: EN 1.4301



Approvals

DE - LGA Certificate 57214035 d

DK - VA 2.99/19975-14

PL - Hygienic Certificate - All products