

Data sheet

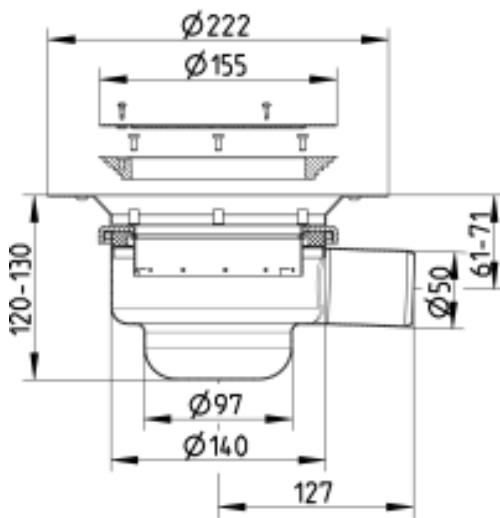


ADJ SHOWER DRAIN CIRCLE, LOW
 - Floor: vinyl
 - Grating: Ø155mm
 - Outlet: Ø50mm, horizontal
 - Stainless steel: AISI304/EN1.4301

DATA

Type no.: 214.300.050
 EAN no.: 5705499118070
 VVS no.: 153314112
 RSK no.:
 NRF no.: 3394552
 LVI no.:

Floor: Vinyl
 Shape: Round
 Number of inlets: 0
 Outlet direction: Horizontal
 Min height area (mm): 030-149
 Outlet dia. (mm): 50
 Min. height (mm): 120
 Weight (kg): 1,35
 Material: AISI 304
 Material: EN 1.4301



Approvals

DE - LGA Certificate 57214035 b
 DK - VA 2.44/19812-14
 FI - VTT-RTH-00021-13 Drain Domestic 2013
 PL - Hygienic Certificate - All products
 RU - 1682257
 SE - SITAC 0193/98