

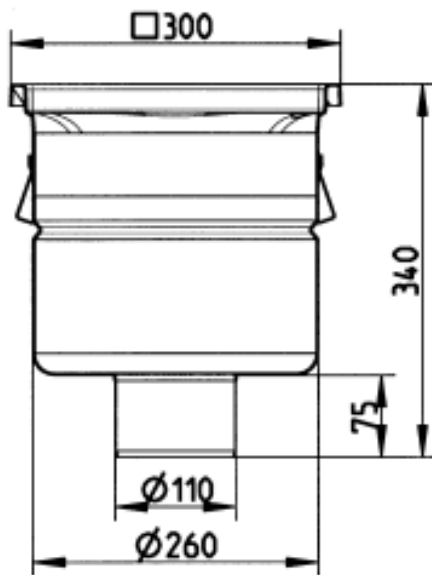
Data sheet



INDUSTRIAL DRAIN
- Floor: concrete and tiled
- No membrane, frame: 300x300mm
- Outlet: Ø110mm, vertical
- Stainless steel: AISI304/EN1.4301

DATA

Type no.:	760.403.110	Floor:	Concrete/tiled
EAN no.:	5705499109429	Shape:	Square
VVS no.:		Number of inlets:	0
RSK no.:	7121828	Membrane type:	No membrane
NRF no.:	3396083	Outlet direction:	Vertical
LVI no.:	3303511	Size:	300x300
		Outlet dia. (mm):	110
		Min. height (mm):	341
		No. of holes for screws:	0
		Weight (kg):	5,48
		Material:	AISI 304
		Material:	EN 1.4301
		Adjustable:	No



Approvals

DE - LGA Certificate 57214035 c

DK - VA 2.42/19497-16

PL - Hygienic Certificate - All products

RU - 1682257

