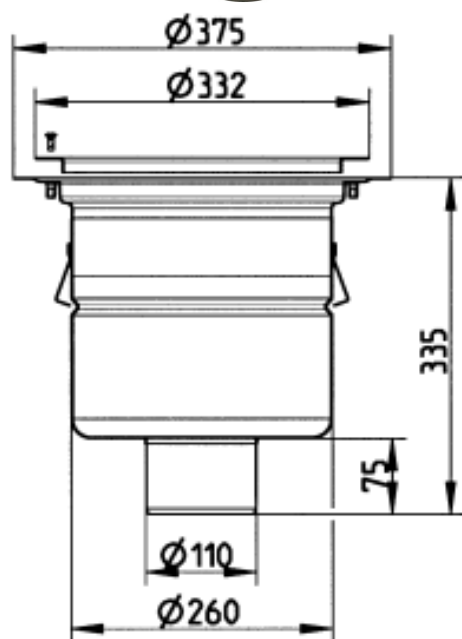


Data sheet

INDUSTRIAL DRAIN

- Floor: vinyl
- Frame: Ø332mm
- Outlet: Ø110mm, vertical
- Stainless steel: AISI304/EN1.4301



DATA

Type no.: 760.603.110
 EAN no.: 5705499109627
 VVS no.:
 RSK no.: 7121836
 NRF no.: 3396089
 LVI no.: 3303536

Floor: Vinyl
 Shape: Round
 Number of inlets: 0
 Outlet direction: Vertical
 Size: Ø332
 Outlet dia. (mm): 110
 Min. height (mm): 336
 No. of holes for screws: 0
 Weight (kg): 5,32
 Material: AISI 304
 Material: EN 1.4301
 Adjustable: No

Approvals

DE - LGA Certificate 57214035 c
 DK - VA 2.42/19497-16
 PL - Hygienic Certificate - All products
 RU - 1682257

