

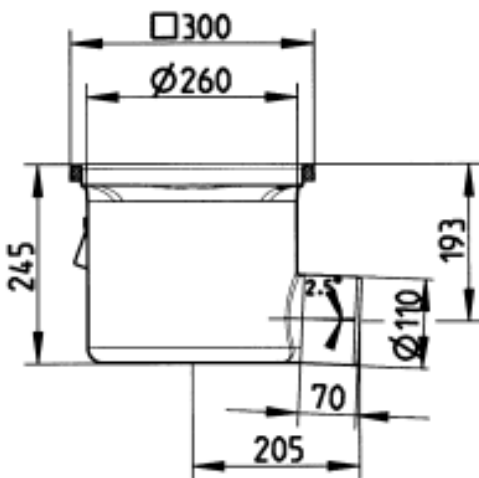


INDUSTRIAL DRAIN
 - Floor: concrete and tiled
 - No membrane, frame: 300x300mm
 - Outlet: Ø110mm, horizontal
 - Stainless steel: AISI304/EN1.4301

DATA

Type no.: 763.403.110
 EAN no.: 5705499109986
 VVS no.:
 RSK no.: 7121824
 NRF no.: 3396093
 LVI no.: 3303611

Floor: Concrete/tiled
 Shape: Square
 Number of inlets: 0
 Membrane type: No membrane
 Outlet direction: Horizontal
 Size: 300x300
 Outlet dia. (mm): 110
 Min. height (mm): 245
 No. of holes for screws: 0
 Weight (kg): 5,15
 Material: AISI 304
 Material: EN 1.4301
 Adjustable: No



Approvals

DE - LGA Certificate 57214035 c
 DK - VA 2.42/19497-16
 PL - Hygienic Certificate - All products
 RU - 1682257

