

Data sheet

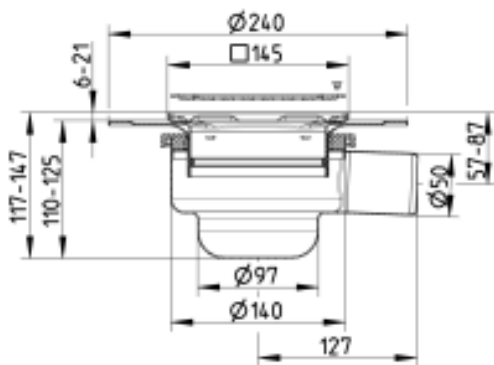


ADJ SHOWER DRAIN SQUARE, LOW
 - Floor: concrete and tiled
 - Liquid membrane, frame: 145x145mm
 - Outlet: Ø50mm, horizontal
 - Stainless steel: AISI304/EN1.4301

DATA

Type no.: 314.300.050
 EAN no.: 5705499118094
 VVS no.: 153587112
 RSK no.:
 NRF no.: 3394553
 LVI no.:

Floor: Concrete/tiled
 Shape: Square
 Number of inlets: 0
 Membrane type: Liquid membrane
 Outlet direction: Horizontal
 Min height area (mm): 030-149
 Outlet dia. (mm): 50
 Min. height (mm): 117
 Weight (kg): 1,75
 Material: AISI 304
 Material: EN 1.4301



Approvals

DE - LGA Certificate 57214035 b
 DK - VA 2.44/19812-14
 PL - Hygienic Certificate - All products
 RU - 1682257
 SE - SITAC 0403/02