

## Data sheet

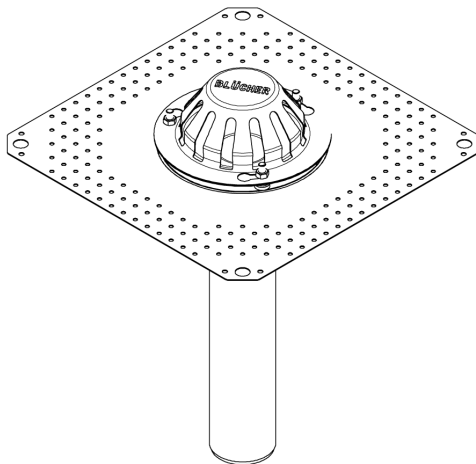
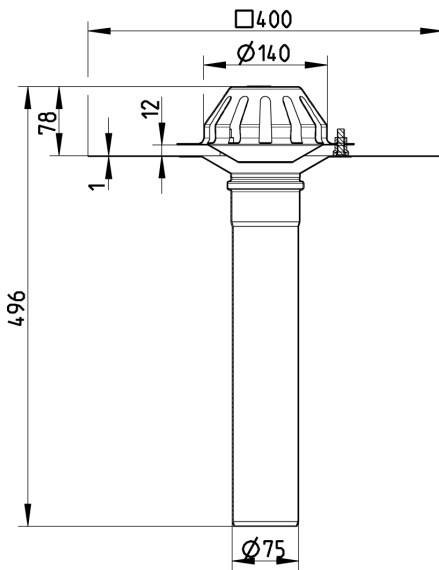


ROOF DRAIN FOR SIPHONIC  
 - Roof: bitumen  
 - Flange: 400x400mm  
 - Outlet: Ø75mm, vertical  
 - Stainless steel: AISI304/EN1.4301

### DATA

Type no.: 401.204.075  
 EAN no.: 5705499132847  
 VVS no.: 164110075  
 RSK no.:  
 NRF no.:  
 LVI no.: 3384523

Roof: Bitumen  
 System: Siphonic  
 Outlet direction: Vertical  
 Outlet dia. (mm): 75  
 Weight (kg): 2,21  
 Material: AISI 304  
 Material: EN 1.4301



### Approvals

DE - LGA Certificate 57214035 d

DK - VA 2.99/19975-14

PL - Hygienic Certificate - All products