

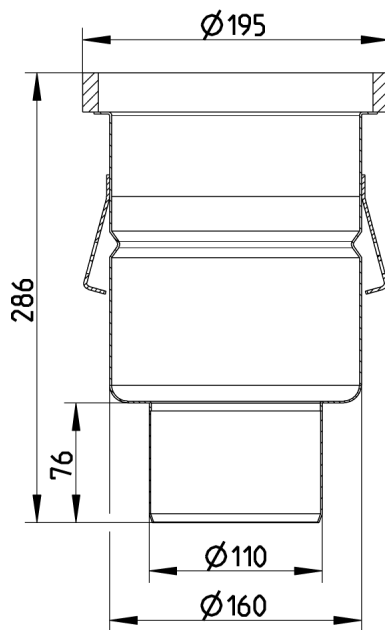


INDUSTRIAL DRAIN
- Floor: resin
- Frame: Ø195mm
- Outlet: Ø110mm, vertical
- Stainless steel: AISI304/EN1.4301

DATA

Type no.: 760.502.110
EAN no.: 5705499109528
VVS no.:
RSK no.:
NRF no.: 3396085
LVI no.: 3303523

Floor: Resin
Shape: Round
Number of inlets: 0
Membrane type: No membrane
Outlet direction: Vertical
Size: Ø195
Outlet dia. (mm): 110
Min. height (mm): 286
No. of holes for screws: 0
Weight (kg): 2,46
Material: AISI 304
Material: EN 1.4301
Adjustable: No



Approvals

DE - LGA Certificate 57214035 c
DK - VA 2.42/19497-16
PL - Hygienic Certificate - All products
RU - 1682257

