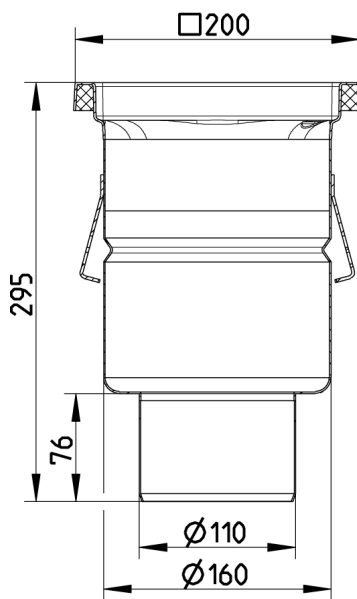




INDUSTRIAL DRAIN
 - Floor: concrete and tiled
 - No membrane, frame: 200x200mm
 - Outlet: Ø110mm, vertical
 - Stainless steel: AISI304/EN1.4301

DATA

Type no.:	760.402.110	Floor:	Concrete/tiled
EAN no.:	5705499109382	Shape:	Square
VVS no.:		Number of inlets:	0
RSK no.:	7121827	Membrane type:	No membrane
NRF no.:	3396082	Outlet direction:	Vertical
LVI no.:	3303506	Size:	200x200
		Outlet dia. (mm):	110
		Min. height (mm):	295
		No. of holes for screws:	0
		Weight (kg):	2,14
		Material:	AISI 304
		Material:	EN 1.4301
		Adjustable:	No



Approvals

DE - LGA Certificate 57214035 c
 DK - VA 2.42/19497-16
 PL - Hygienic Certificate - All products
 RU - 1682257

