

Data sheet

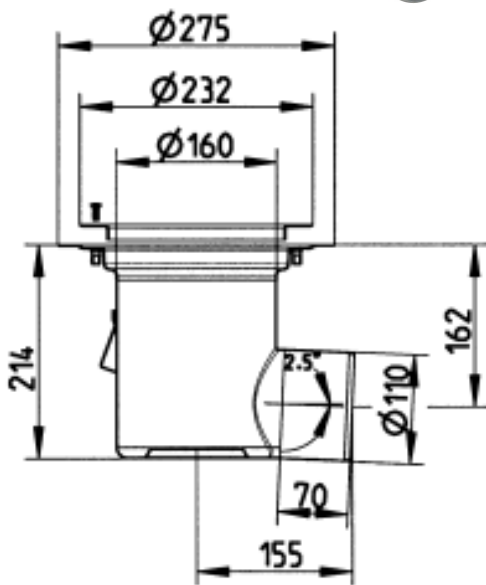


INDUSTRIAL DRAIN
 - Floor: vinyl
 - Frame: Ø232mm
 - Outlet: Ø110mm, horizontal
 - Stainless steel: AISI304/EN1.4301

DATA

Type no.: 763.602.110
 EAN no.: 5705499110166
 VVS no.:
 RSK no.: 7121831
 NRF no.: 3396363
 LVI no.: 3303633

Floor: Vinyl
 Shape: Round
 Number of inlets: 0
 Outlet direction: Horizontal
 Size: Ø232
 Outlet dia. (mm): 110
 Min. height (mm): 214
 No. of holes for screws: 0
 Weight (kg): 2,31
 Material: AISI 304
 Material: EN 1.4301
 Adjustable: No



Approvals

DE - LGA Certificate 57214035 c
 DK - VA 2.42/19497-16
 PL - Hygienic Certificate - All products
 RU - 1682257

