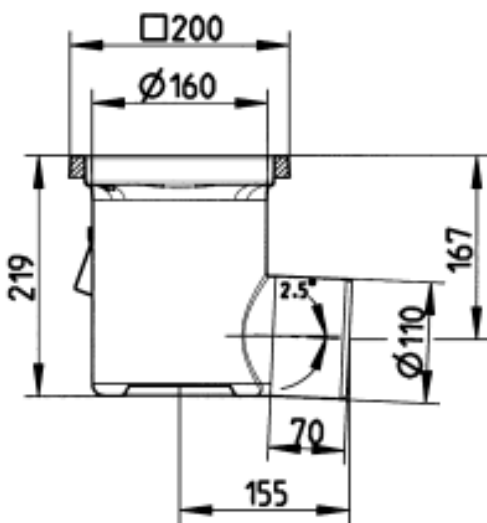




**INDUSTRIAL DRAIN**  
 - Floor: concrete and tiled  
 - No membrane, frame: 200x200mm  
 - Outlet: Ø110mm, horizontal  
 - Stainless steel: AISI304/EN1.4301

### DATA

Type no.:	763.402.110	Floor:	Concrete/tiled
EAN no.:	5705499109948	Shape:	Square
VVS no.:		Number of inlets:	0
RSK no.:	7121823	Membrane type:	No membrane
NRF no.:	3396092	Outlet direction:	Horizontal
LVI no.:	3303606	Size:	200x200
		Outlet dia. (mm):	110
		Min. height (mm):	219
		No. of holes for screws:	0
		Weight (kg):	2,16
		Material:	AISI 304
		Material:	EN 1.4301
		Adjustable:	No



### Approvals

DE - LGA Certificate 57214035 c  
 DK - VA 2.42/19497-16  
 PL - Hygienic Certificate - All products  
 RU - 1682257

