

**B**olton Gate Company's Insulated Roller Shutters provide a secure and weatherproof closure to large or small openings. They are suitable for loading bays, factories, warehouses and any applications where security is required together with thermal insulation.

Roller shutters provide a virtually unobstructed opening and when open, the shutter and mechanism are out of the way above the doorway and clear of any risk of damage from vehicles moving through the opening. The doors are robust and have a long life with little maintenance required.

These doors have been used extensively on projects worldwide where their strength and robust design assures longevity of life and reliability of operation.

## STANDARD SPECIFICATION

### **Curtain**

Shutter curtains are constructed from 100mm high flat section continuously interlocked galvanised steel laths which are securely held in place by end locks. Each lath is infilled by suitable insulating material and bottom rails are fitted with a rubber weather seal.

### **Guides**

Vertical guides are formed from rolled steel into a double rebate, are fitted with twin full-height brush seals and are supplied with suitable angles for fixing to the structure.

### **Endplates**

Prime painted mild steel of appropriate thickness relative to door size and supplied with angles for fixing to the structure.

### **Roller**

The roller is constructed from seamless steel tube of adequate diameter to resist deflection and held in bearings attached to the endplates.

### **Finish**

Generally galvanised with non-galvanised parts prime painted. Polyester powder coating and Colorcoat HP 200 in a range of colours is available at extra cost.

### **Electrical Operation**

All shutters are operated by a 400 volt 3 phase geared motor with inbuilt safety brake mounted on one endplate. Adjustable limit switches are incorporated to stop the shutter at the end of each travel.



Standard controls are open/close/stop buttons with other options available.

### MAXIMUM SIZES

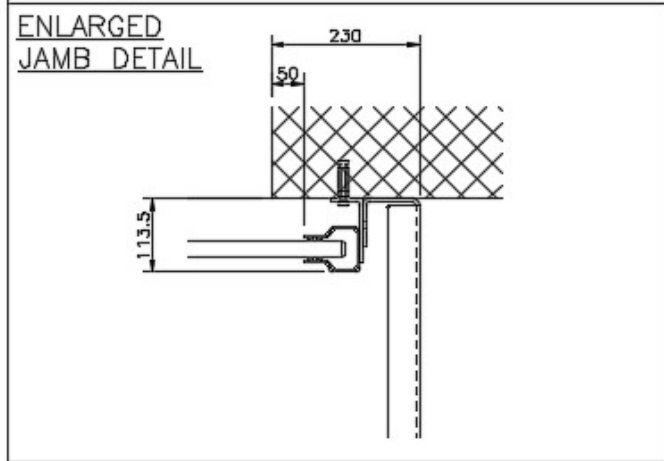
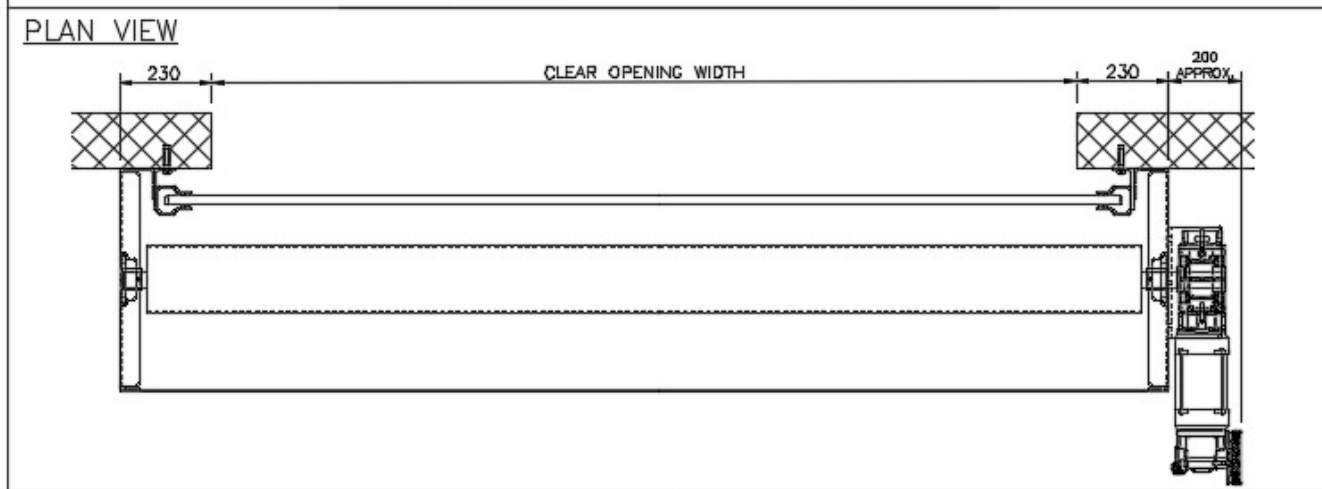
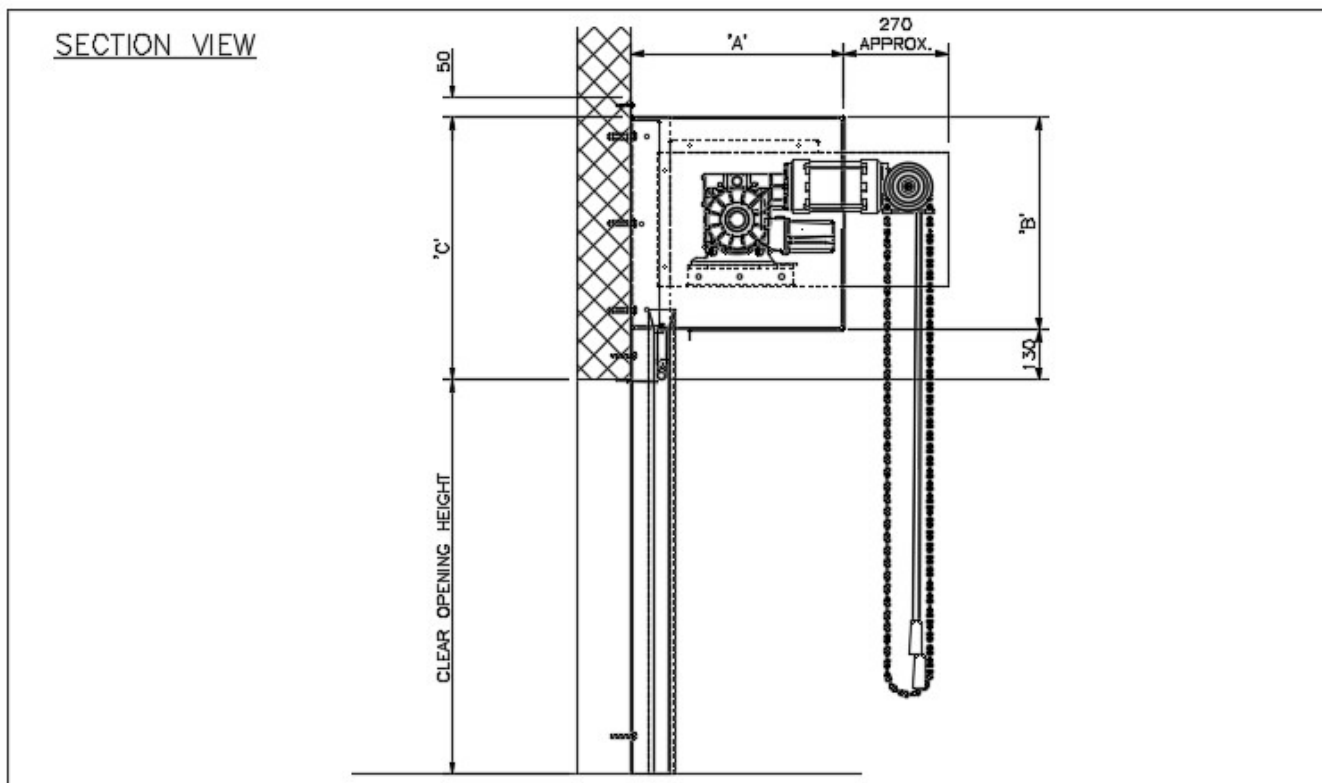
12 metres wide x 8 metres high

### WEIGHT

Dependent upon size and lath configuration but typically 50kgs/m<sup>2</sup>.

### OPTIONS

- Keyswitches
- Radio control
- Loop detectors
- Photocells
- Timer closing
- Polyester powder coated finish
- Colorcoat HP 200 finish
- Hoods / fascias
- Double glazed vision panels



**RANGE TABLE**

CLEAR OPENING HEIGHT	MAXIMUM BOX SIZES		
	'A'	'B'	'C'
UP TO 2500	450	450	580
2501 TO 4000	500	550	680
4001 TO 5500	550	600	730
> 5501	AVAILABLE ON REQUEST		

ALL DIMENSIONS IN MM