

**B**olton Gate Company, the acknowledged leader in the field of rolling fire door technology, introduces a much-improved design of fire curtain to provide 1-hour fire integrity between fire compartments and is rated E60-C0 classification in accordance with EN 13501-2, EN15269-11 and EN16034. The product is CE marked accordingly.

The Fibreroll Rolling Fire Curtain, which has been successfully fire tested to EN 1634-1, offers major advantages over existing designs with its' compact design low weight to size ratio and ease of installation.

#### STANDARD SPECIFICATION

##### **Curtain**

Specially reinforced and coated fibre-glass material which is designed to withstand temperatures in excess of 1000 degrees C.

Steel bobbins are attached to each end of the fabric to ensure that the curtain remains in the side guides even when subjected to differential pressures caused by fire.

The curtain thickness is approximately 0.7mm and the weight 780 grams per square metre.

A steel bottom rail is attached to provide rigidity and act as a weight to assist closure.

##### **Guides**

Manufactured from galvanized steel and formed into a slimline profile which is prepared for bolting to the opening structure. Integral rebates are incorporated on which the bobbins engage in a fire situation.

##### **Roller**

The roller comprises a 101mm diameter steel tube in which the tubular motor is fitted at one end and steel shafts / discs at the other. The roller is supported at each end on galvanized steel endplates with integral angles for fixing to the bulkhead.

##### **Casing**

The roller is covered by a galvanized steel casing which also acts as a fire seal at the head.



##### OPERATION

Electric operation is by means of a tubular motor suitable for connection to a 240-volt single phase supply with gravity failsafe closure in a fire condition.

A control panel is provided complying with EN 14637 incorporating operating buttons on the lid and the facility for connection of a normally closed volt free contact from the client's fire alarm system with a low-level emergency close / reset button. A battery is included to prevent unwanted closing of the curtain in case of power failure.

The curtain will automatically descend upon receipt of the fire signal and re-coil when the signal is removed.

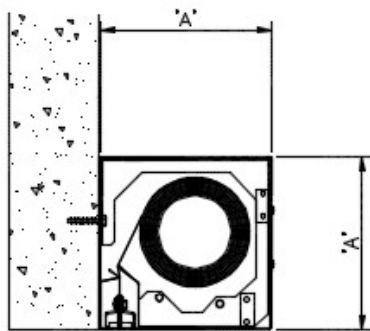
##### FINISHES

The curtain is supplied in a natural grey colour with the side guides, bottom rail and roller casing powder coated RAL 9010 (Pure White) or RAL 9006 (White Aluminium). Other RAL colours are available at extra cost.

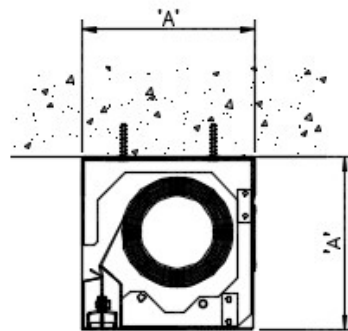
##### WEIGHT

Approximately 45 kgs per linear metre of width.

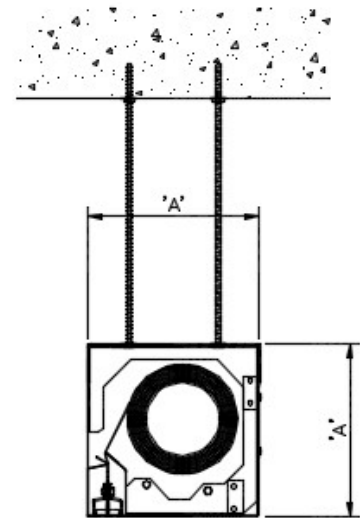
BOX DETAILS



FACE FIXED



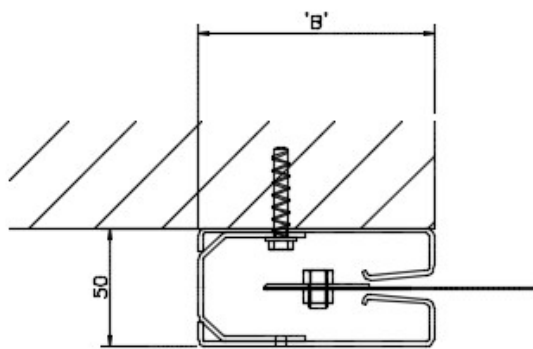
SOFFIT FIXED



SUSPENDED

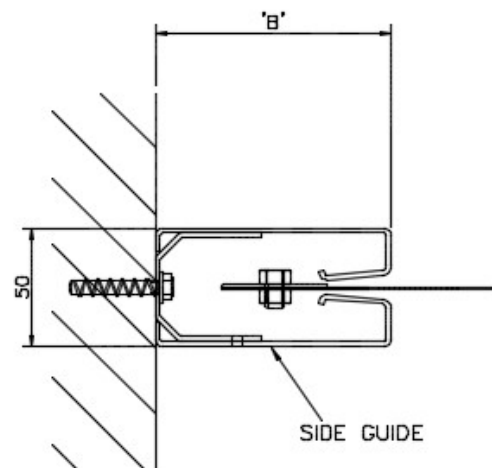
CLEAR OPENING SIZES	'A'	'B'
UP TO 3000mm HIGH x UP TO 5800mm WIDE	200	100
ABOVE 3001mm HIGH x UP TO 5800mm WIDE	230	100
ABOVE 5801mm WIDE	230	120

GUIDE / JAMB DETAILS



SIDE GUIDE

FACE FIXED



SIDE GUIDE

FIXED BETWEEN