



Sandringham 21 Close Coupled WC Valve Suite

Illustrated

- E8963** Sandringham 21 close coupled WC pan with horizontal outlet
- E8966** Sandringham 21 Close Coupled 6/4 Litre dual flush valve, bottom supply and internal overflow
- E9076** Sandringham 21 seat and cover
- S9101** Domex screws (pair)

Configuration options

- E9074** Sandringham 21 seat and cover metal hinges
- E9086** Sandringham 21 seat no cover metal hinges

Material

Vitreous China

Special Notes

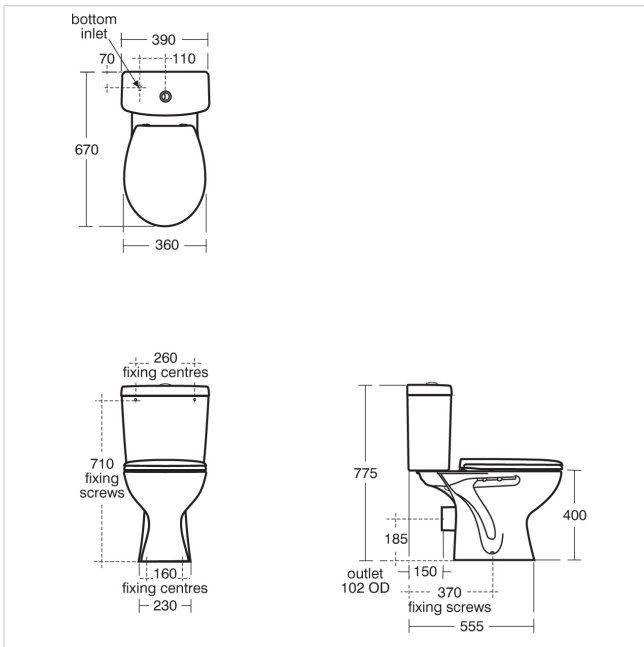
WC screwed to floor and cistern screwed to wall (not supplied).

Weights

- E8963 17KG
- E8966 14KG
- E9076 1.900KG
- S9101 0.22KG

Colours

White (01)



Frequently used applications

- | | |
|-----------------------|--------------------|
| Education | Factory |
| Hotels | Office |
| Public Building | Pubs and Clubs |
| Residential | Retail |
| Social Housing | Sports and Leisure |
| Student Accommodation | |

Features

Water Saving