

# Tesi Single Lever Tall Basin Mixer

## ILLUSTRATED

**A6575** Tesi single lever tall basin mixer smooth body and 5 litre per minute eco flow regulator, no waste

## OPTIONS

**A5900** TMV thermostatic mixing valve, 15mm

## ILLUSTRATED PRODUCT DETAILS

### Weights

**A6575** 1.74 KG

### Finishes

**A6575**  Chrome (AA)

### Materials

**A6575** Chrome Plated Metal

### Flow rates

**A6575** 5 Litres per minute @ 3 bar pressure

### Designer

Artefakt Industriekultur

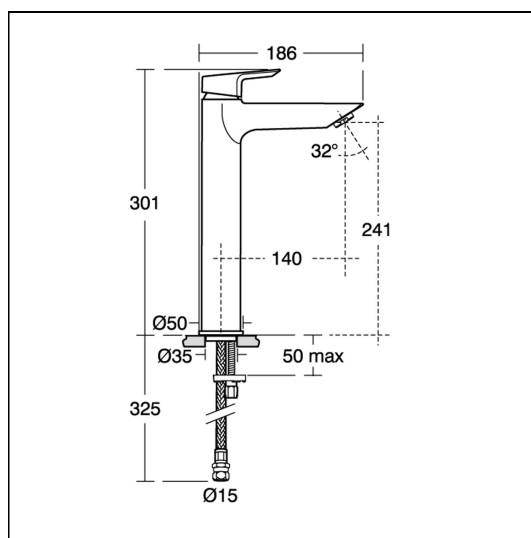
### Standards

BS EN817

### Special Notes

Suitable for balanced supplies. Inlets with flexible hoses. Factory fitted 5 litre per minute flow regulator.

Flow rate 4.7 litres per minute at 1 Bar with regulator fitted. Consideration should be given to safe hot water delivery and the use of an appropriate temperature reduction device, please see A5900AA (for use with 15mm pipework) or A5901AA (for use with 22mm pipework).



## ACCREDITATIONS



## FEATURES

