

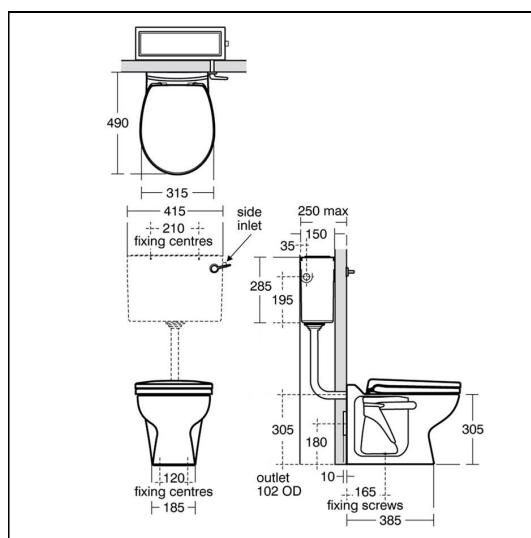
Contour 21 Back To Wall /CC WC Pan 305mm high

ILLUSTRATED

- S3046** Contour 21 schools 305mm back to wall and close coupled WC pan with horizontal outlet
- S3617** Conceala 2 4.5 or 6 litre cistern, single flush syphon, side supply, internal overflow, plastic flushbend and long CP lever
- S4057** Contour 21 toilet seat only for 305mm high bowls, bottom fixing hinges
- S9101** Domex screws (pair)

OPTIONS

- R0099** Prosys electronic conversion kit for infra-red actuated flushplates (Septa Pro E1 & E2) (120 depth frames and cisterns only)
- R0137** Septa Pro inspection plate white
- S3640** Conceala 2 4.5 litre cistern, single flush valve, side supply, internal overflow and alternative height plastic flushbends
- S3599** Sensorflow 21 WC flushing device, panel mounted sensor complete with concealed valve and 4 or 4.5 litre duct cistern
- S3643** Conceala 2 4.5/3 or 4/2.6 litre cistern, dual flush valve, side supply, internal overflow, alternative height plastic flushbends, no flushplate/button
- R0317** Prosys 120 depth WC cistern, mechanical, front actuation
- R0318** Prosys 120 depth WC cistern, pneumatic, front actuation
- S4056** Contour 21 toilet seat and cover for 305mm high bowls, bottom fixing hinges
- S4513** Palm push button pneumatic, stainless steel for 31mm maximum thickness partition
- S0767** Oleas M2 mechanical dual flushplate Armitage Shanks - white
- S0857** Oleas P2 pneumatic dual flushplate Armitage Shanks - chrome
- S0858** Septa Pro M1 mechanical metal dual flushplate Armitage Shanks
- S0859** Septa Pro M2 mechanical metal single flushplate Armitage Shanks
- S0775** Septa Pro P1 pneumatic metal dual flushplate Armitage Shanks
- S0860** Septa Pro P2 pneumatic metal dual small flushplate Armitage Shanks
- S0776** Speta Pro P3 pneumatic metal single small flushplate Armitage Shanks
- R0136** Septa Pro P4 pneumatic metal dual small flushplate with raised adjustable buttons
- P0109** Septa Pro XS pneumatic push button no logo - chrome
- S0772** Septa Pro E1 electronic (infrared) & manual metal dual flushplate Armitage Shanks
- S0773** Septa Pro E2 electronic (infrared) metal dual flushplate Armitage Shanks
- S4305** Panekta outlet connector to convert horizontal outlet wcs to P trap



ACCREDITATIONS

S3617(67)

Unified Water Label	4.5	Average Flushing Volume (Litres)
---------------------	-----	----------------------------------

S3640(67)

Unified Water Label	4.5	Average Flushing Volume (Litres)
---------------------	-----	----------------------------------

S3599(67)

Unified Water Label	4.5	Average Flushing Volume (Litres)
---------------------	-----	----------------------------------

S3643(67)

Unified Water Label	3.0	Average Flushing Volume (Litres)
---------------------	-----	----------------------------------

FEATURES



Contour 21 Back To Wall /CC WC Pan 305mm high

S4300 Panekta outlet connector to convert horizontal outlet wcs to S or turned P trap

ILLUSTRATED PRODUCT DETAILS

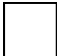
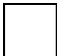
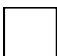

Weights

S3046 15.00 KG
S3617 3.00 KG
S4057 1.20 KG
S9101 0.22 KG

Materials

S3046 Vitreous China
S3617 Plastic
S4057 Plastic
S9101 Metal

Finishes

S3046  White (01)
S3617  Neutral / No Finish (67)
S4057  White (01)
S9101  White (01)

Capacity

S3617 4.5 litres

Designer

Robin Levien, RDI

FINISH OPTIONS



(01) White



(36) Blue



(66) Black



(GQ) Red



(LJ) Grey



(79) yellow