

Firth Trough, 160cm LH Waste Cover & Hangers

ILLUSTRATED

- S2873** (SU H) Firth 160cm scrub-up trough, left hand outlet strainer waste, trap cover and hangers
- A6737** (TB H6) Markwik 21+ panel mounted thermostatic basin mixer, time flow sensor, demountable with fixed spout
- S8925** (TRR2/P) Trap 1½" plastic resealing bottle with 75mm seal, multi-purpose outlet

ILLUSTRATED PRODUCT DETAILS

Sizes

S2873 l:1600

Weights

S2873 42.10 KG

A6737 3.60 KG

S8925 0.33 KG

Materials

S2873 Stainless Steel

A6737 Chrome Plated Brass

S8925 Plastic


Standards

Manufactured from 1.5 mm Stainless Steel 1.4301 (304) to BSEN 10088: Part2:2005

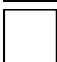
Special Notes

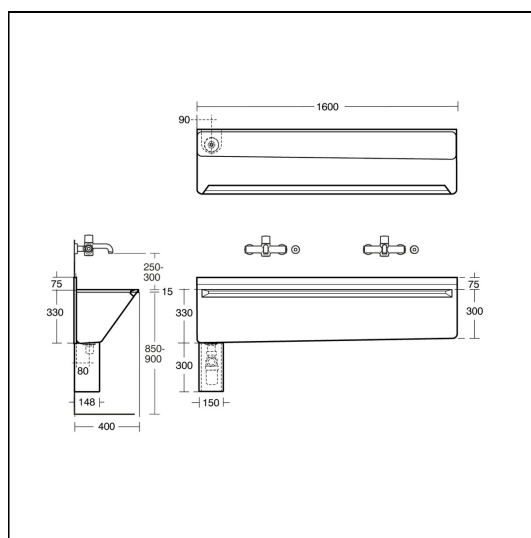
For use in connection with surgical washing of forearms and hands see further pages for TB H6 details A6062 Markwik time flow thermostatic, sensor mixer

Finishes

S2873  Stainless Steel finish (MY)

A6737  Chrome (AA)

S8925  Neutral / No Finish (67)



ACCREDITATIONS



FEATURES

