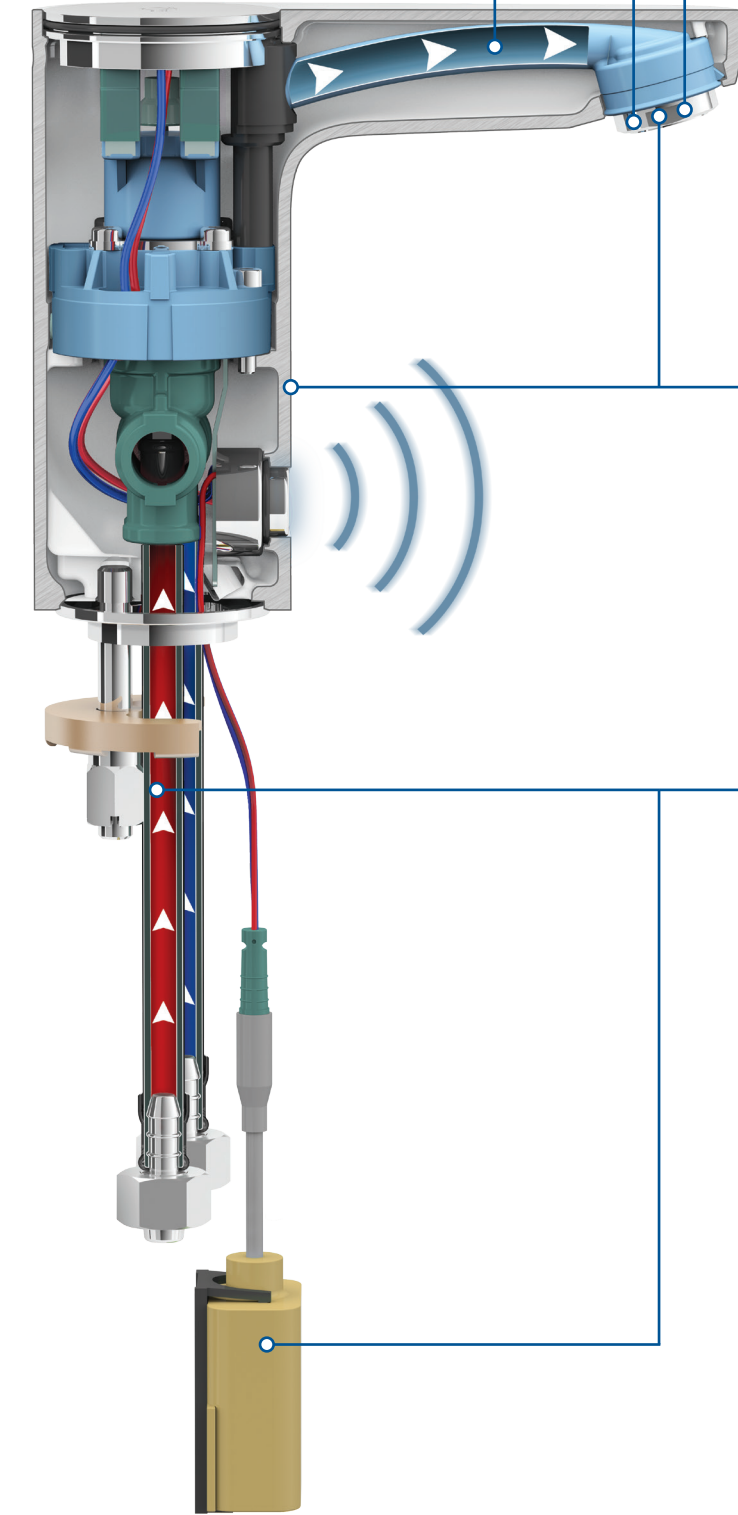


IDEALBLUE® TECHNOLOGY – PROVIDING PERFECT WATER QUALITY AND SAFETY

INNOVATION

- Nickel and lead free waterways in the body
- Reduced water content and stagnation time
- Adjustable cleaning mode



SUSTAINABLE

Energy saving

- 4 litres per minute flow regulator
- Self-closing function
- Solenoid valve closes 2s after sensor no longer detects movement
- Automatic flow stop after 55 seconds of continuous operation

SAFETY

Designed for safe operation

- Insulated waterways ensure a cool body
- No risk of scalding on the exterior surface

EASY TO INSTALL

Easy to maintain

- Flexible hoses
- Isolation valves with filters and check valves
- Easy-Fix quick and easy installation requiring only one hand under the basin
- Integral sensor and electronics
- Easy to install battery versions not requiring mains connection

Armitage Shanks
Armitage
Rugeley
Staffordshire
WS15 4BT
Tel: 01543 490253
Fax: 01543 491677

Ideal Standard (UK) Ltd.
The Bathroom Works
National Avenue
Kingston Upon Hull
HU5 4HS
Tel: 01482 346461
Fax: 01482 445886

*Armitage
Shanks*

SENSORFLOW WAVE A NEW RANGE OF MODERN WATER SAVING FITTINGS



*Armitage
Shanks*

SENSORFLOW TECHNOLOGY SAFE AND EFFICIENT



A new range of Sensorflow technology brassware that combines stylish design with unique safety features, whilst also being easy to install and exceptionally easy to use.

The rim mounted taps and mixers use new water safety technology, the first of its kind, to set the standards for drinking water quality in the market place. Innovative Ideal Blue® technology prevents deposits of lead and nickel from contaminating the drinking water and also reduces water stagnation thanks to an integrated water management system. Not only are these fittings beautifully designed and safer to use, they are also more environmentally friendly as water and energy use is reduced by the factory fitted flow regulator and the reduced water content.

The Sensorflow Wave built-in fittings all have the functional benefits of thermostatic temperature control which combines accurate control of the mixed water temperature and exceptionally safe protection from scalding. Whilst they are all very easy to use, some have a user adjustable temperature control whereas others have the mixed water temperature fixed by the installer or service engineer and offer the hygienic benefit of thermal disinfection.

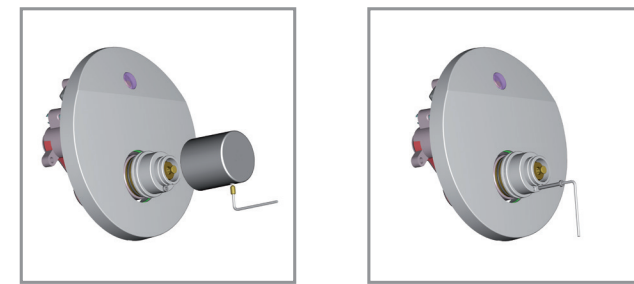
Each fitting features a unique control module using an infrared sensor system. This control system can manage different functions as required for each fitting, such as auto flushing, cleaning mode and continuous operation for thermal disinfection.



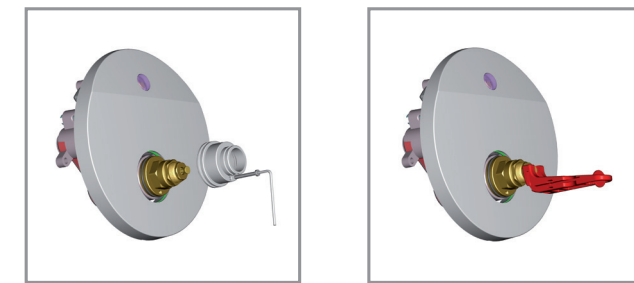
The design was developed by the renowned design ARTIFAKT Industrial Culture. Founded in 1989 by Achim Pohl and Thomas Fiegl.

EASY STEP BY STEP GUIDE TO THERMAL DISINFECTION

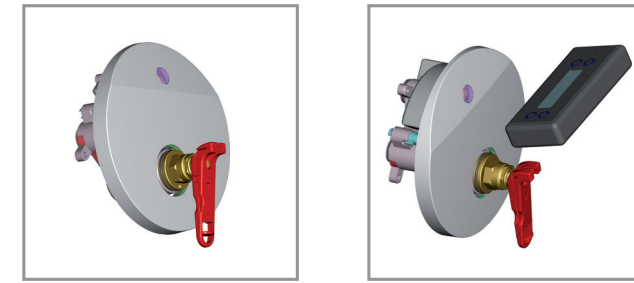
BUILT-IN FITTINGS WITHOUT USER TEMPERATURE ADJUSTMENT



1. Loosen grub screw
2. Remove cover



4. Remove cover holder
5. Attach Multitool



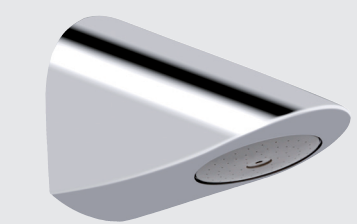
6. Press Multitool 90° towards faceplate to obtain maximum hot water temperature
7. Use the remote control to select a duration for thermal disinfection and flow starts immediately

THE IDEAL COMBINATION

ANTI VANDAL FIXED SHOWER HEAD

Grip and twist resistant design
Supplied with 6 and 8 litre per minute flow regulators for water saving.

A5452AA panel mounted with back inlet
A4672AA back inlet for solid wall fixing
A5451AA bottom inlet for solid wall fixing



A4672AA

THERMOSTATIC MIXING VALVE

Designed to supply premixed water at a maximum predetermined temperature to non-thermostatic outlet fittings such as the rim mounted Sensorflow Wave fittings to ensure safe, scald free operation.

A5900AA with 15mm connections for basin filling and lower flow rates

A5901AA with 22mm connections for bath filling and higher flow rates

A5900AA



BASIN TAPS AND MIXERS

1 hole basin mixer with temperature control



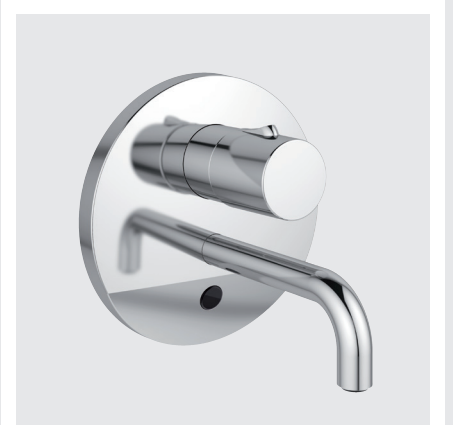
Description	Code
Battery (6V)	A6162AA
Mains (230V)	A6163AA

1 hole basin tap



Description	Code
Battery (6V)	A6160AA
Mains (230V)	A6161AA

Thermostatic built-in basin mixer with user temperature control



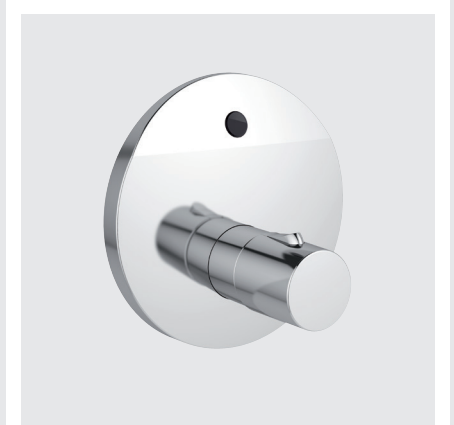
Description	Code
150mm spout, battery (6V)	A6164AA
150mm spout, mains (230V)	A6165AA
230mm spout, battery (6V)	A6168AA
230mm spout, mains (230V)	A6169AA

Thermostatic built-in basin mixer without user temperature control



Description	Code
150mm spout, battery (6V)	A6166AA
150mm spout, mains (230V)	A6167AA
230mm spout, battery (6V)	A6170AA
230mm spout, mains (230V)	A6171AA

Thermostatic built-in shower mixer with user temperature control



Description	Code
Battery (6V)	A6172AA
Mains (230V)	A6173AA

Thermostatic built-in shower mixer without user temperature control



Description	Code
Battery (6V)	A6174AA
Mains (230V)	A6175AA

- User adjustable temperature control
- IdealBlue® nickel and lead-free waterways
- Integrated sensor and electronics
- Auto stop after 55s continuous running
- 4 lpm outlet flow regulator
- Cleaning mode
- Easy-Fix quick mounting system
- Flexible hoses
- Isolation valves with filters and check valves
- Optional remote control programmer F960970NU

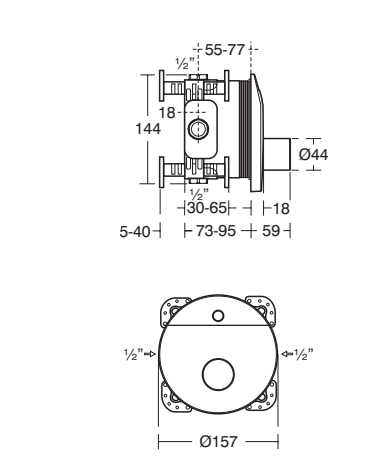
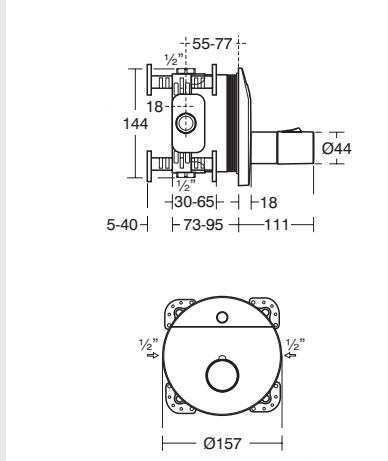
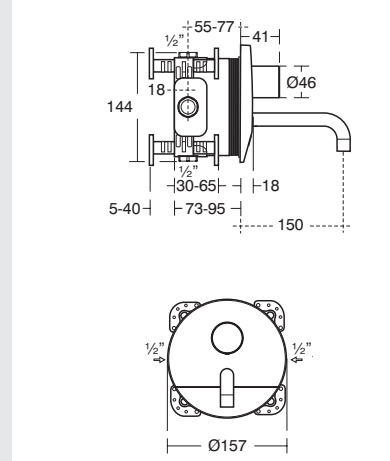
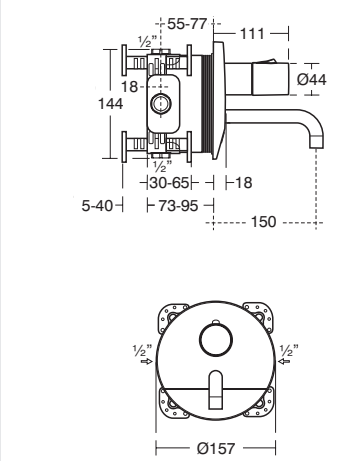
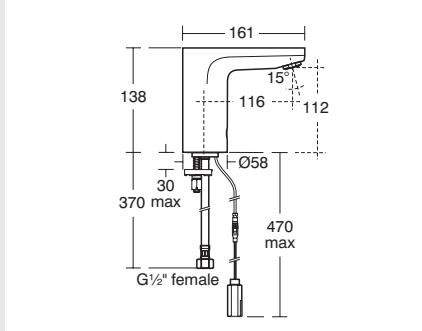
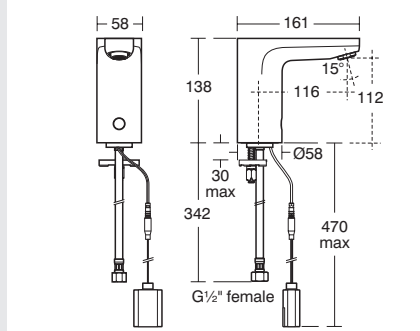
- IdealBlue® nickel and lead-free waterways
- Integrated sensor and electronics
- Auto stop after 55s continuous running
- 4 lpm outlet flow regulator
- Cleaning mode
- Flexible hoses
- Isolation valves with filters and check valves
- Optional remote control programmer F960970NU

- User adjustable temperature control
- Thermostatic cartridge for scald prevention
- 150 and 230mm spout options
- Easybox built-in plastic box with double water sealing
- Multiple fixing options
- Integrated electronics
- Auto stop after 55s continuous running
- 4 lpm outlet flow regulator
- Safety button on temperature control
- Optional remote control programmer F960970NU

- Outlet temperature set by installer
- Thermostatic cartridge for scald prevention
- 150 and 230mm spout options
- Easybox built-in plastic box with double water sealing
- Multiple fixing options
- Integrated electronics
- Auto stop after 55s continuous running
- 4 lpm outlet flow regulator
- Thermal disinfection mode
- Optional remote control programmer F960970NU

- User adjustable temperature control
- Thermostatic cartridge for scald prevention
- Easybox built-in plastic box with double water sealing
- Multiple fixing options
- Integrated electronics
- Auto stop after 55s continuous running
- Safety button on temperature control
- Optional remote control programmer F960970NU

- Outlet temperature set by installer
- Thermostatic cartridge for scald prevention
- Easybox built-in plastic box with double water sealing
- Multiple fixing options
- Integrated electronics
- Auto stop after 55s continuous running
- Thermal disinfection mode
- Optional remote control programmer F960970NU



PROGRAMMING

All Sensorflow Wave fittings are factory set to operate satisfactorily in most installations. However, to optimise operation for each particular installation many of the default settings can be changed. This can be done in 2 ways:

- Manual Programming (limited functions can be changed)
- Full Programming using a remote control programmer (all functions can be changed)

1. Manual Programming

Sensor range and Run time can be changed.

For Manual Programming the power needs to be turned Off then On. The sensor then re-boots and programming can be carried-out. If the sensor has a Run time function (e.g. showers) then this can also be changed. All other functions such as Purging and Cleaning can only be set using the Remote control programmer (see Full Programming).

2. Full Programming

This requires a Remote controlled programmer which is supplied separately (Part no. F960970NU). With this programmer all settings can be changed on all built-in fittings, including Sensor range, Purging and Operating modes. Note no settings can be changed on the 1 hole basin fittings.

In Full Programming using the Remote control programmer there is no need to turn the power On/Off, and all programming can be done in front of the fitting. If the sensor has a Run time function (e.g. showers) then the Run time can also be changed.

Detailed programming information comes with the products.

Programme Mode	Description	Fixed settings	Adjustable settings			
			Name	Factory setting	Range	Step
1	Cleaning Fitting is turned Off to allow cleaning Sensor and valve are turned Off for a fixed duration of 60s At the end of this time it resets to normal operation	60s				
2	Purging Operates the fitting for a set duration Fitting can be turned On for 1 to 120 minutes At the end of this time it resets to normal operation		Purging duration	Off	1...120	minutes
3	Diagnostic					
4	Operating					
	3 operating modes (see below)					
4.1	Proximity ¹ Water flows while sensor is triggered Flow continues for 2s after sensor is no longer triggered Safety shut-off if sensor is triggered continuously	2s	4.1.1 Auto flush frequency 4.1.2 Auto flush duration	Off 15s	6, 12, 24, 48, 72 1...240	hours 1 second
4.2	Timed ² When sensor is triggered water flows for the set run time At the end of this timed period it turns off Safety shut-off if sensor is triggered continuously		4.2.1 Run time ⁴ 4.2.2 Auto flush frequency 4.2.3 Auto flush duration	15s Off 15s	1, 2, 3, 25, 75, 15, 30, 60, 120, 240 1...240	seconds hours 1 second
4.3	On/Off ³ When sensor is triggered water flows for the set run time If the sensor is triggered while running it turns off immediately Triggering the sensor toggles operation On/Off		4.2.1 Run time ⁴ 4.3.2 Auto flush frequency 4.3.3 Auto flush duration	15s Off 15s	3, 25, 75, 15, 30, 60, 120, 240 6, 12, 24, 48, 72 1...240	seconds hours 1s

Notes
¹ Basin taps and mixers are factory set to this mode
² No Sensorflow Wave fittings are factory set to this mode
³ Showers are factory set to this mode
⁴ Run time can only be changed for Showers