

Broadway Cradle

Specification

Material

The chassis is cast aluminium LM6 and top canopy spun aluminium. The glazing bowl is a polycarbonate moulding. The cradle is a welded fabrication fully galvanised to afford maximum protection.

Ingress Protection

IP 66 Optical Compartment , IP 44 Gear Compartment

Finishes

The Aluminium body and brim are treated with a chromate and then can be Polyester Powder Coated any BS or RAL colour. The cradle galvanised pre treated and painted to suit

Optics

Can be fitted with the Candela EV and SGS range of street optics. LED's can be fitted with a variety of street optical lenses

Gear

Sodium and CDMT-T	150w Max
CDMT	150w Max
Metal Halide	150w Max
Compact Fluorescent	70w Max
Cosmopolis	45w - 140w

LED Array

12w - 72w

Fixings & Mountings

All fixings are Stainless Steel

This fitting is post top to suit 76 or 89mm and is suitable with our range of wall and post top brackets for all size columns. Mounting is via M10 Stainless Grub Screws

Recommended Height

4mtr - 8 mtr

Maintenance

Access to the gear and the lamps is by removal of the top canopy. Lamp change is via our ¼ turn lamp holder and gear withdraws for maintenance.

Photo Electrical Cell

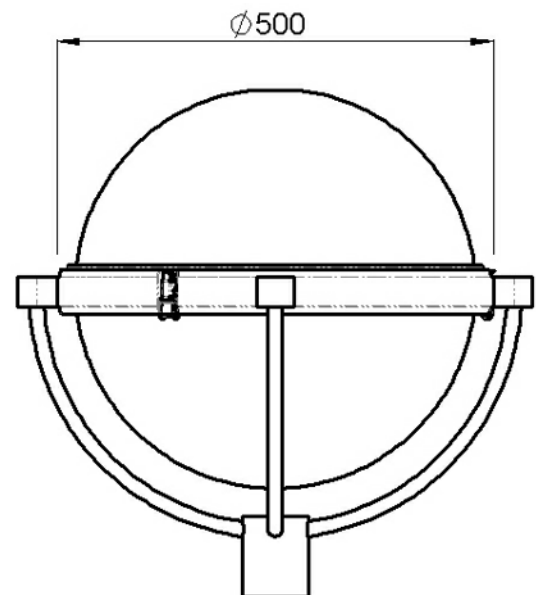
The fitting accepts all manufacturers Photo Electrical Cells as an option

Weight & Windage

Average weight 15 Kgs depending on gear. Windage 0.1mtr sq



Dimensions



Typical Applications

- ✓ Car Parks
- ✓ Amenity
- ✓ Street / Highway
- ✓ Exterior
- ✓ House Builders

319, Long Acre, Nechells, Birmingham, UK. B7 5JT

Tel 0121 678 6700 Fax 0121 678 6701

Email: sales@candela.co.uk Web: www.candela.co.uk

Candela Light is a trading name of Candela Traditional lighting Limited Design Right subsisting in the design of articles shown herein are the property of Candela Traditional Lighting Limited