

# Lanark

## Specification

### Material

The chassis is cast aluminium LM6 the top canopy and shade are spun aluminium. The glazing bowl is a polycarbonate vacuum formed moulding

### Ingress Protection

IP 66 Optical Compartment , IP 44 Gear Compartment

### Finishes

The Aluminium body and brim are treated with a chromate and then can be Polyester Powder Coated any BS or RAL colour.

### Optics

Can be fitted with the Candela EV and SGS range of street optics. LED's can be fitted with a variety of street optical lenses

### Gear

Sodium and CDMT-T	150w Max
CDMT	150w Max
Metal Halide	150w Max
Compact Fluorescent	70w Max
Cosmopolis	45w - 140w

### LED Aray

12w - 72w

### Fixings & Mountings

All fixings are Stainless Steel This fitting is top mounted or can be side mounted to suit up to 42 mm suitable with our range of wall and post top brackets for all size columns

Mounting is via our easy fit system or M10 Stainless Grub Screws in our side entry spigot.

### Recommended Height

4mtr - 8 mtr

### Maintenance

Access to the gear and the lamps is tool free by releasing the over centre stainless steel fasteners. Lamp change is via our ¼ turn lamp holder and gear withdraws for maintenance. LED light unit can be removed by releasing the clamping bracket.

### Photo Electrical Cell

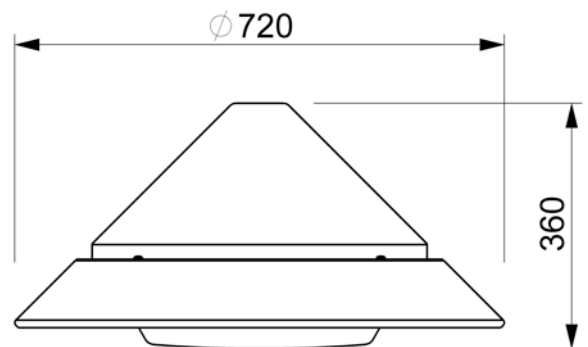
The fitting accepts all manufacturers Photo Electrical Cells as an option

### Weight & Windage

Average weight 15 Kgs depending on gear. Windage 0.15mtr sq



## Dimensions



## Typical Applications

- ✓ Car Parks
- ✓ Amenity
- ✓ Street / Highway
- ✓ Exterior
- ✓ House Builders

319, Long Acre, Nechells, Birmingham, UK. B7 5JT

Tel 0121 678 6700 Fax 0121 678 6701

Email: sales@candela.co.uk Web: www.candela.co.uk

Candela Light is a trading name of Candela Traditional lighting Limited Design Right subsisting in the design of articles shown herein are the property of Candela Traditional Lighting Limited