

AUTOMATIC TERRA QUANTUM BOLLARD



BENEFITS & FEATURES

- The Terra Quantum Bollard Innovative Direction of Travel - Side Folding Bollard uniquely raises and lowers
- The Retractable Bollard is hydraulically driven, and twinned with a static unit
- Each bollard has a manual hydraulic power unit including hydraulic reservoir; manual hand pump and manual release valve within the bollard enclosure
- 2no.Terra Quantum Bollards back to back form a 4m clear aperture
- The Terra Quantum Bollard can be retrofitted into an existing line of PAS 68 static bollards to provide an HVM access point
- Control cabinet or self contained unit depending on configuration

FINISH OPTIONS

- Polyester Powder Coated
- Stainless Steel Clad

OPTIONS

- Manual hand pump allows a number of operations in power failure mode
- Can be interfaced to any access control systems



SAFETY

- Hold to run
- Safety Photocell Beams

OPERATING SPEED

- Typical speeds of 12 seconds

CIVIL REQUIREMENTS

L: 2350 x W: 1000 x D: 450

Control Cabinet Foundation

L: 800 x W: 800 x D: 300

Note: Power and control wiring ducts may be required

ELECTRICAL REQUIREMENTS

- Single Phase

* Depending on configuration

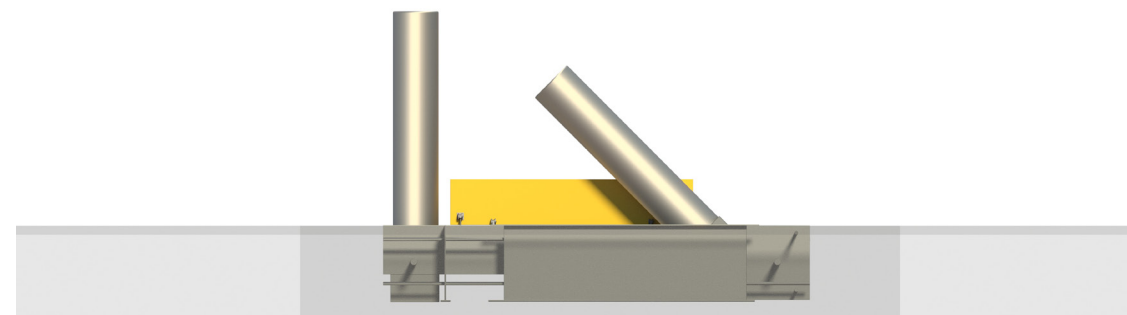
** This is subject to a risk assessment to ensure the automatic equipment complies to BS EN 12453



The Innovative Side Folding HVM Bollard has been successfully impact tested to PAS 68 with 7.5t @ 30mph.

- PAS 68 Terra Quantum Bollard 7.5t @ 30mph
- V/7500[N2]/48/90:0.0/0.0

Tested dimensions: lift height 925mm



Applications: Sites with limited foundation depths that requires a PAS68 restriction on vehicle access whilst allowing free passage by pedestrians



PSSA
Verification Scheme



+44(0) 1293 422800
sales@frontierpitts.com
www.frontierpitts.com