



RootRain Urban & Civic

Irrigation and Aeration Systems

Includes:

- Product information sheets
- Technical data sheet

RootRain Urban

Irrigation and Aeration System

A large capacity irrigation system with fixed non-removable grid inlet. The grid allows water and air through but prevents ingress of litter and debris.

The **RootRain Urban** is particularly suited to roadside verge and open tree planting. The inlets are strimmer resistant and can be set below mowing machine height. They have a very little vandal appeal and no theft value, making them ideal for housing estates and public areas.



RootRain Civic

Irrigation and Aeration System

The **RootRain Civic** system is a very well proven large capacity irrigation system which has a vandal resistant inlet with a powder coated aluminium cap on a retainer chain. Popular with landscape architects and contractors, the **Civic** has been widely used on projects demanding a high level of specification.

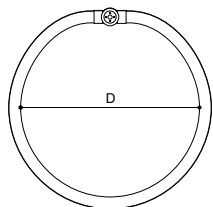


RootRain Urban

Irrigation and Aeration System



This illustrates the correct level for the RootRainUrban inlet. Too low could lead to blockages; too high can look obtrusive.



Using the table below, the specifier can select the correct size in relation to root ball diameter.



RootRain Urban – the cost effective high capacity tree waterer designed for durability.

Product	Diameter D	Pipe Length	Code
RootRain Urban	895mm	3m	RRURB1A
RootRain Urban	1530mm	5m	RRURB2A
RootRain Urban	2490mm	8m	RRURB3A

Typical Installation Specification

Install RootRain Urban (1, 2 or 3) irrigation system as follows:

Loop the 60mm irrigation pipe around the shoulder of the root ball (200mm-300mm below ground level) and connect securely to the tee piece. The vertical piece of pipe can be cut to length to ensure that the inlet is flush or slightly (25mm maximum) proud of the final pit surround.

Standard tree pit detail.

- Inlet: 80mm heavy duty HDPE moulded grid top
- Reducer: 80/60mm HDPE with integral strengthening fins
- Vertical pipe: 60mm PE perforated pipe
- Tee section: Heavy duty HDPE with non return locking lugs to secure pipe work

Standard tree pit details

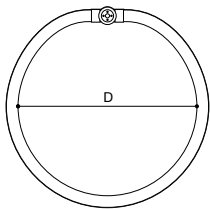
To clearly illustrate correct product application, please refer to our standard tree pit details which are on our website.

BENEFITS

- Large capacity 80mm inlet with 60mm watering circuit.
- Easy and quick installation.
- Cost effective on the largest or smallest schemes.
- Extremely vandal resistant.
- Discreet and unobtrusive appearance.

RootRain Civic

Irrigation and Aeration System



Using the table below, the specifier can select the correct size in relation to root ball diameter.



When installed correctly, only the aluminium cap should be visible



Cap is ventilated to allow some air exchange to the tree pit. Ideal for use in bark mulch areas

Product	Diameter D	Pipe Length	Code
RootRain Civic	895mm	3m	RRCIVIC1A
RootRain Civic	1530mm	5m	RRCIVIC2A
RootRain Civic	2490mm	8m	RRCIVIC3A

Typical Installation Specification

Install RootRain Civic (1, 2 or 3) irrigation system, complete with aluminium cap and retainer chain. Loop the 60mm irrigation pipe around the shoulder of the root ball (200mm-300mm below ground level) and connect securely to the tee piece. The vertical piece of pipe can be cut to length to ensure that the inlet is flush or slightly (25mm maximum) proud of the final pit surround.

Product Specification

- Inlet: 80mm heavy duty HDPE moulded grid top
- Inlet cap: Aluminium powder coated with retainer chain, finished in black
- Reducer: 80/60mm HDPE with integral strengthening fins
- Vertical pipe: 60mm PE perforated pipe
- Tee section: Heavy duty HDPE with non return locking lugs to secure pipe work
- Pipe circuit: 60mm PE perforated

Standard tree pit details

To clearly illustrate correct product application, please refer to our standard tree pit details which are available on our website.

BENEFITS

- Large capacity 80mm inlet with 60mm watering circuit.
- Vented aluminium cap on retainer chain.
- Prevents fines entering irrigation system
- Quick and easy to install

RootRain Urban

IRRIGATION AND AERATION SYSTEM

TYPE

60mm diameter irrigation system with 80mm diameter fixed plastic grid inlet.

CODE SIZE (LENGTH)

RRURB1A	3m
RRURB2A	5m
RRURB3A	8m

MATERIAL

Recycled HDPE inlet and tee, polypropylene pipe.

FINISH

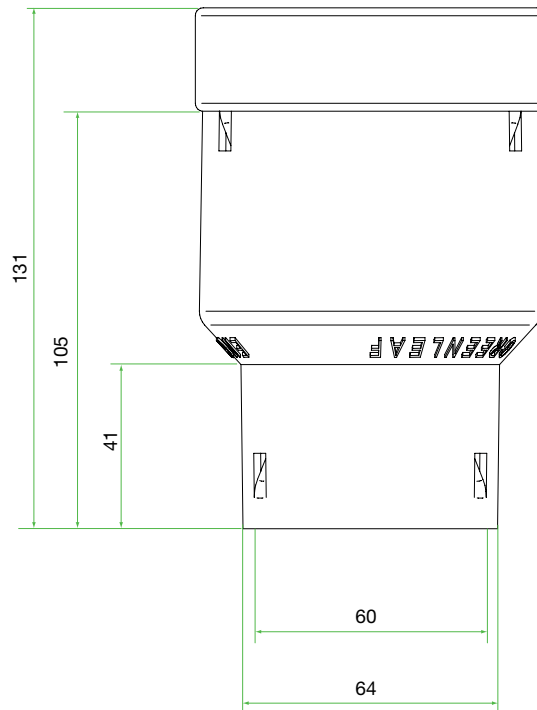
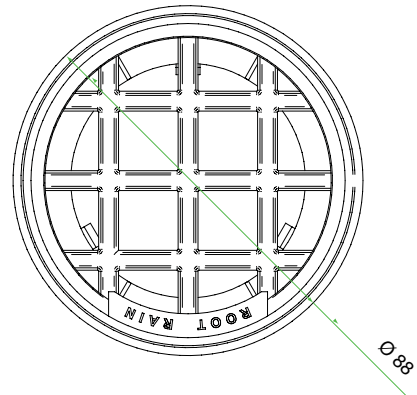
Natural

COLOUR

Black

WEIGHT

RRURB1A	0.9kg
RRURB2A	1.3kg
RRURB3A	1.9kg



RootRain Civic

Irrigation and Aeration System

TYPE

Irrigation/aeration system with 60mm diameter perforated pipe and 95mm diameter aluminium cap, with retainer chain.

CODE SIZE (LENGTH)

RRCIVIC1A	3m
RRCIVIC2A	5m
RRCIVIC3A	8m

MATERIAL

Aluminium cap, inlet pipe and tee HDPE

FINISH

Polyester powder coated cap
remainder natural

COLOUR

Black

WEIGHT

RRCIVIC1A	1.0kg
RRCIVIC2A	1.4kg
RRCIVIC3A	2.0kg

