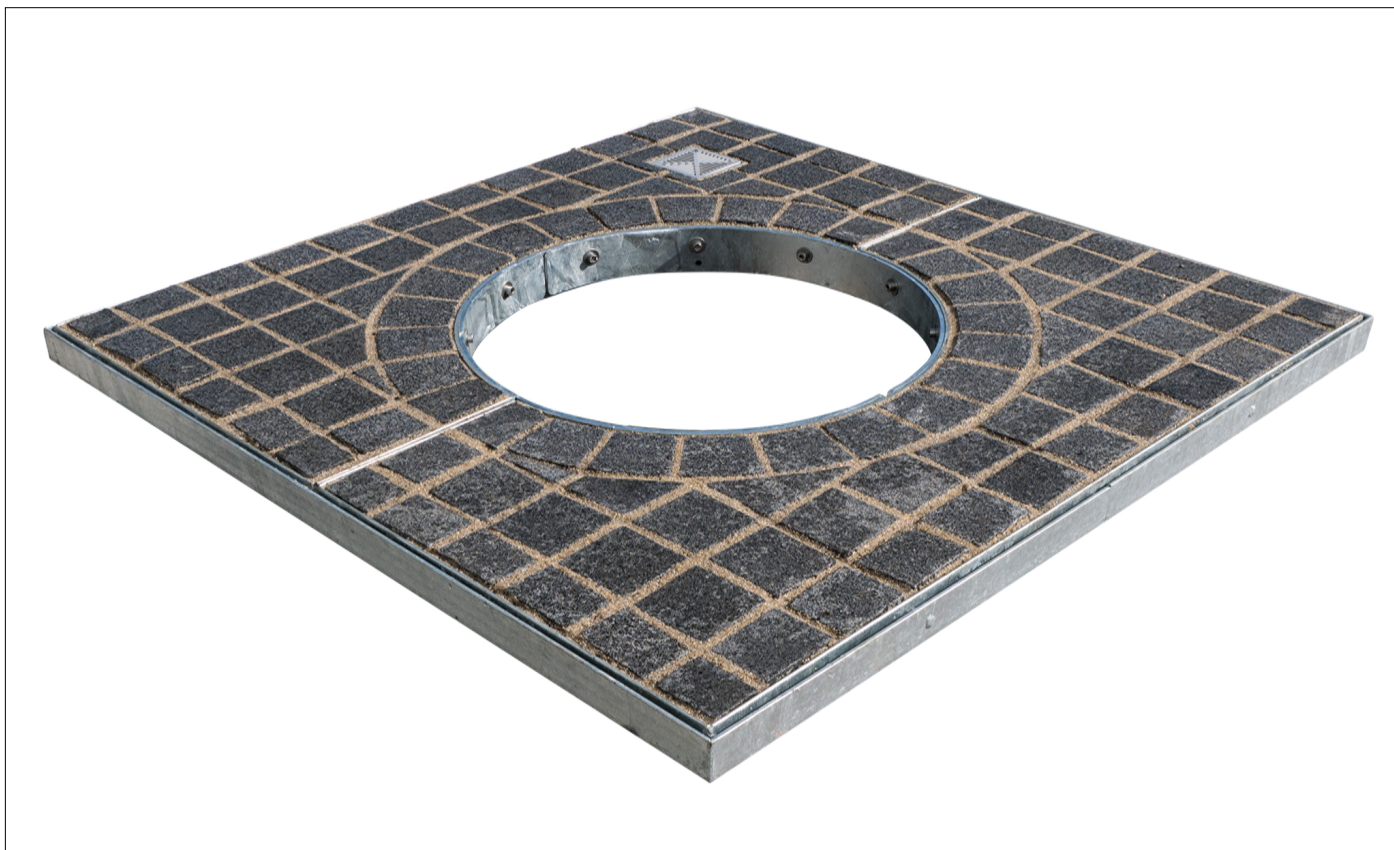


# Precast SettStone Tree Grille

Fully integrated precast tree grille systems.



## Overview

Specifiers and contractors alike appreciate the GBU Precast SettStone tree grille for its clean aesthetic appearance, its ease of installation and its reliable theft-proof steel structure which is unique to GBU. This heel-proof and wheelchair friendly tree surround boasts a porous grout system which is perfect for SuDS installations. The smart granite sett style appearance and complete integral irrigation system adds to the wealth of features delivered with this product.

## Features

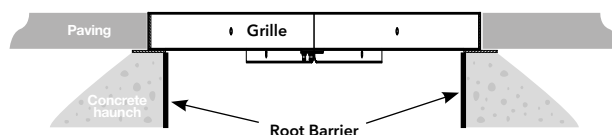
- Heavy duty galvanised support frame
- Steel tray segments supplied prefilled with granite sett surfacing
- Porous grout system
- Integrated irrigation system included
- Anti-theft lugs and central locking ring
- Stainless steel fixings
- Fully compatible / integrates with GBU below ground systems

## Benefits

- Steel tray system prevents long term cracking and deterioration
- Porous grout system, perfect for SuDS applications
- Heelproof and wheel-chair friendly
- Prevents compaction of soil
- Permits natural irrigation and aeration of soil
- Can be disassembled if needed for major tree maintenance
- Design and built to be strong enough for light vehicular overrun

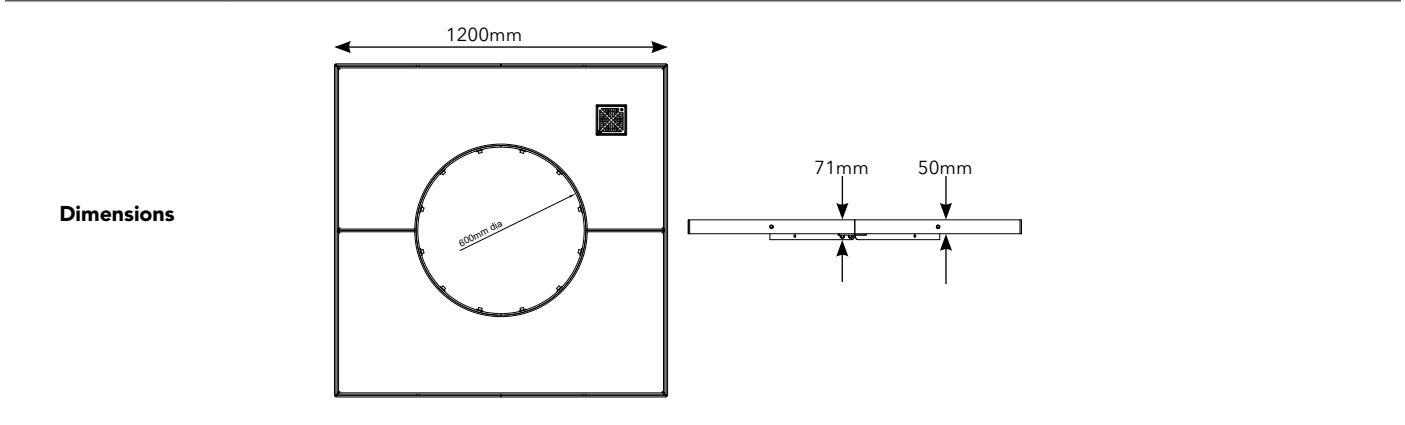
## Purpose

Prevent soil compaction by bridging between concrete haunches



T: +44 (0)1580 830 800  
E: [enquiries@greenblue.com](mailto:enquiries@greenblue.com)  
W: [greenblue.com](http://greenblue.com)

	<b>Product Code</b>	<b>Perimeter Dimensions</b>	<b>Internal Aperture Diameter</b>	<b>Colour</b>	<b>Includes</b>
<b>Product codes</b>	<b>SSPC12UGA</b>	1200mm	600mm	Urban Grey	Heavy duty galvanised support frame Precast grille segments RootRain irrigation inlet Perforated pipe RootRain irrigation system Stainless steel fixings



<b>Permeability</b>	SuDS compliant 65l per m2 per hour
---------------------	------------------------------------

<b>Vehicle Overrun</b>	Maximum 1.5 tonne SMWL (Slow Moving Vehicle Load) - Test certificate available on request
------------------------	---

<b>Accessories</b>	<b>Available to order</b> Spare fixing kit Guard to grille fixing pack
--------------------	--

<b>Maintenance</b>	<b>Annual inspection</b> Clean irrigation and aeration inlet filter brushes Remove grille if central aperture threatens to restrict tree growth
--------------------	---

<b>Bespoke Options</b>	Full design and development service available Heel safe / DDA requirements HGV loading requirements Slip resistance requirement
------------------------	--