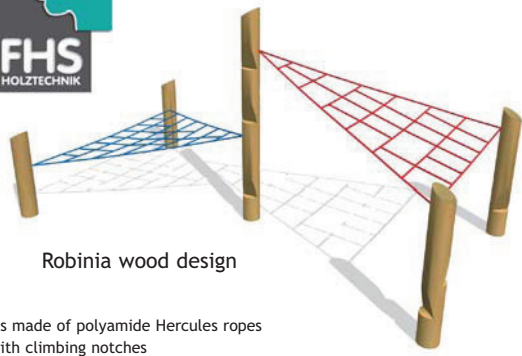


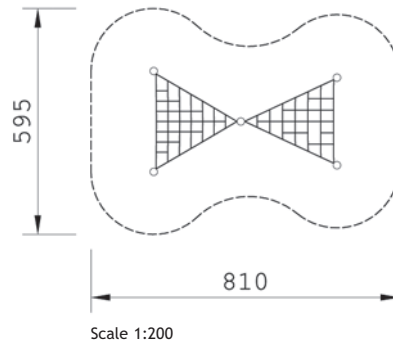


Net system Spessart



Robinia wood design

- Components:**
 2 Triangular nets made of polyamide Hercules ropes
 5 Post, partly with climbing notches



Scale 1:200

Net system Spessart



906171150 R

906171150 S

- 5 x 60 x 60 x 100 cm
Concrete needed:
ca. 1.00 m³
- 5 x 60 x 60 x 100 cm
Concrete needed:
ca. 1.00 m³
- 7 x 70 x 70 x 100 cm
Concrete needed:
ca. 2.30 m³
- 4 x 70 x 70 x 100 cm
Concrete needed:
ca. 1.30 m³

Total weight:

- ca. 350 kg
- ca. 380 kg
- ca. 570 kg
- ca. 550 kg

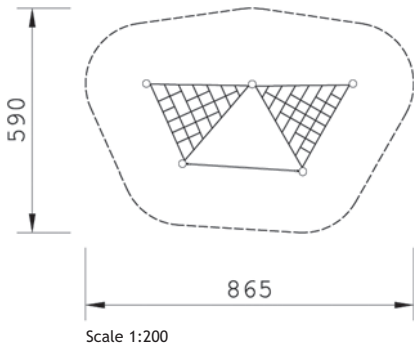
Heaviest individual part:

- ca. 90 kg
- ca. 110 kg
- ca. 135 kg

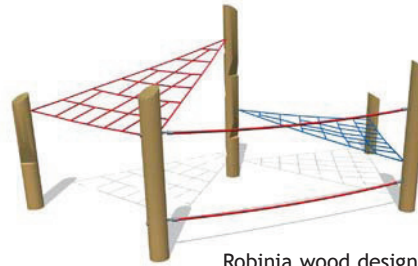
- ca. 2 P. x ca. 3.0 h
- ca. 3 P. x ca. 4.0 h
- ca. 3 P. x ca. 6.0 h
- ca. 3 P. x ca. 3.0 h

- 3 - 12 years
- 5 - 12 years

Net system Spessart with balancing rope



Scale 1:200



Robinia wood design

- Components:**
 2 Triangular nets made of polyamide Hercules ropes
 2 Ropes made of polyamide Hercules ropes
 5 Post, partly with climbing notches

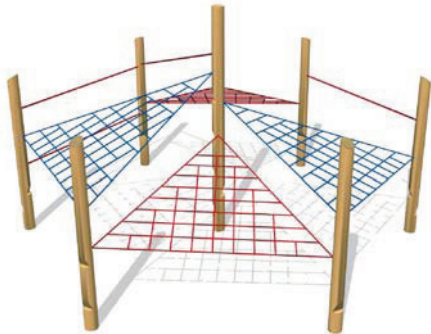
Net system Spessart with balancing rope



906171200 R

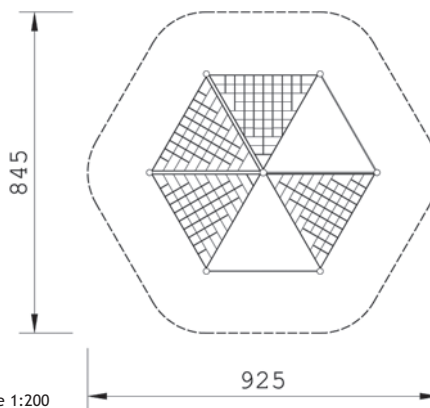
906171200 S

Net system Solling



Robinia wood design

- Components:**
 4 Triangular nets made of polyamide Hercules ropes
 1 Holding rope made of polyamide Hercules ropes
 1 Balancing rope with holding rope made of polyamide Hercules ropes
 1 Hanging rope made of polyamide Hercules ropes
 7 Post with climbing notches



Scale 1:200

Net system Solling



906171050 R

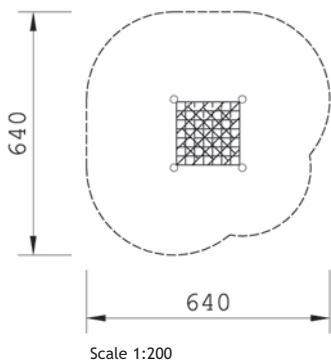
906171050 S

- 5.00 x 2.90 x 2.45 m
- 5.60 x 2.50 x 2.45 m
- 6.20 x 5.40 x 3.50 m
- 2.00 x 2.00 x 4.00 m

- 2.00 m
- 2.50 m

EN 1176

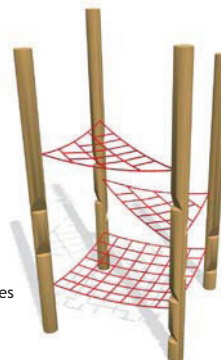
Net system Breuskesbach



Scale 1:200

Robinia wood design

- Components:**
 2 Triangular nets made of polyamide Hercules ropes
 1 Square net made of polyamide Hercules ropes
 4 Post with climbing notches



Net system Breuskesbach



906171100 R

906171100 S

Design options

Coniferous wood:
Spruce/pine, green,
on galv. steel feet

Coniferous wood:
Larch/Douglas fir,
glazed, on galv. steel
feet

Robinia / oak, glazed

Steel posts, galv.,
wooden parts oak

► Subject to technical modifications

► Regular maintenance checks