

# Pendulum tyre swings



- 2 x 80 x 80 x 100 cm  
1 x 100 x 100 x 100 cm  
Concrete needed:  
ca. 1.50 m<sup>3</sup>
- Total weight:  
● ca. 320 kg  
● ca. 590 kg  
● ca. 370/550 kg  
Heaviest individual part:  
● ca. 180 kg  
● ca. 270 kg  
● ca. 180/310 kg
- ca. 3 P. x ca. 6.0 h  
Hoisting equipment required
- 8 - 14 years
- 2.40 m
- EN 1176

Design options

- K** Coniferous wood:  
Spruce/pine, green,  
on galv. steel feet
- L** Coniferous wood:  
Larch/Douglas fir,  
glazed, on galv. steel  
feet
- R** Robinia / oak, glazed
- S** Steel posts, galv.



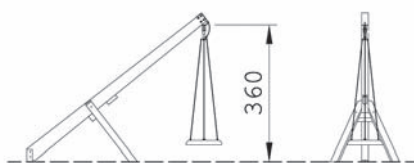
Basic construction made of tubular steel  
Ø 159 / 178 mm, galvanised



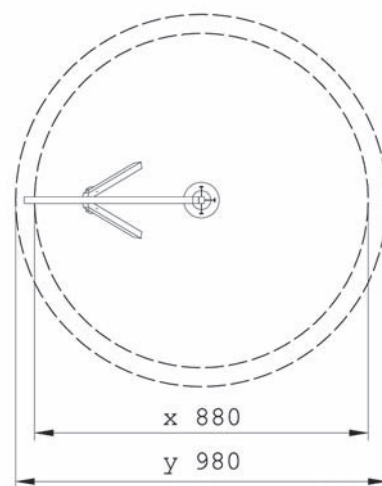
Beam swing made of laminated timber  
42 / 25 x 18 cm / feet 17 x 17 cm



Main beam Ø 24 cm, feet  
Ø 18 cm, robinia Ø 24-28 cm



Scale 1:200  
x = for synthetic covering material  
y = for natural covering material



Pendulum tyre swings					
Laminated beam	●	904621100 K	904621200 L	galv.	fvz.+painted
Metal	●			90462130 VS	90462140 LS
Round post	●	904622100 K	904622100 L	904622100 R	

► Subject to technical modifications    ► regular maintenance checks