



● 10 x 40 x 40 x 80 cm
Concrete needed:
ca. 0.70 m³



● 23 x 40 x 40 x 80 cm
Concrete needed:
ca. 1.70 m³



Total weight:
● ca. 320 kg
● ca. 1100 kg
Heaviest individual part:
● ca. 200 kg
● ca. 250 kg



● ca. 2 P. x ca. 3.0 h
● ca. 3 P. x ca. 9.0 h
Hoisting equipment
required



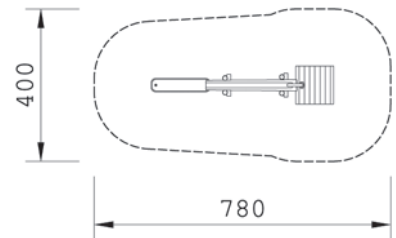
● from 3 years

Components:

- 1 Stainless steel water tap
- 1 Pump pedestal, pedestal surface made of hollowed oak wood, 40 mm thick, steel posts, galvanised.
- 1 Robinia channel with carved fish as outlet
- 1 Stainless steel mud table 35 x 100 cm with bottom outlet

Please ask for detailed planning information.

For further information about the elements, please refer to page 5-32 to 5-44.



Scale 1:200



● 4.75 x 1.00 x 1.48 m
● 6.35 x 4.25 x 1.85 m

Alb



905260250 R

Tauber



● 0.25 m
● 0.95 m

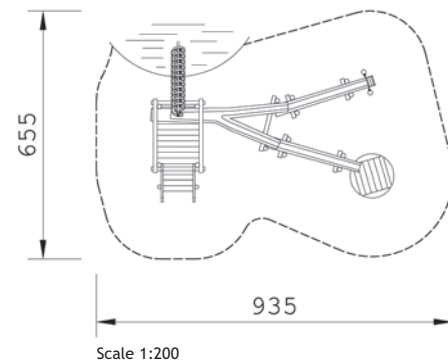


EN 1176

Design options



Robinia / oak, glazed



Scale 1:200

Components:

- 1 Square platform without roof, with stairway
- 1 Robinia fork
- 2 Robinia channels
- 1 Round mud table made of hollowed oak wood
- 1 Waterwheel Ø 40 cm
- 1 Spiral conveyor with single-sided outlet

Please ask for detailed planning information.

For further information about the elements, please refer to page 5-32 to 5-44.

Tauber



905260200 R

► Subject to technical modifications ► regular maintenance checks