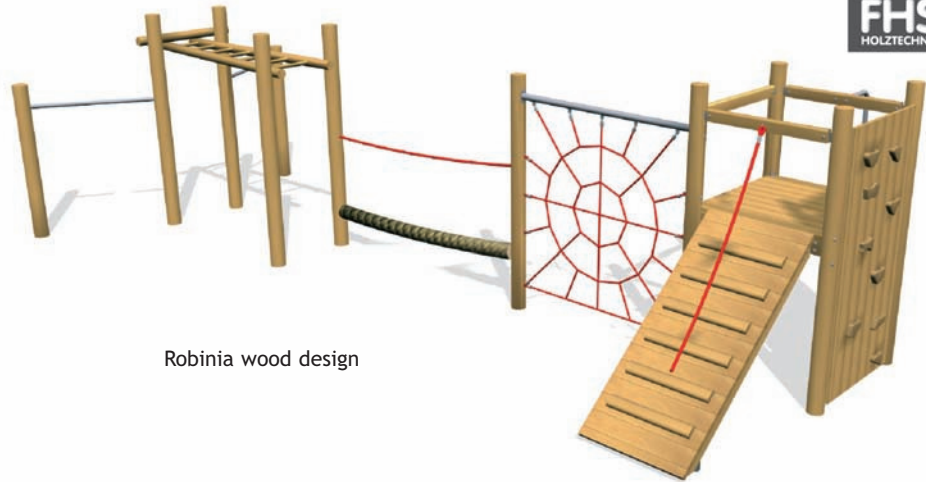
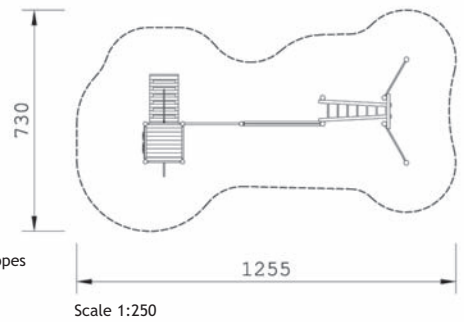


Playtime activity point Biel



Robinia wood design



Components:

- 1 Square platform PH 1.45 m
- 1 Free-climbing wall with wooden handles 1.03 x 2.25 m
- 1 Stainless steel sliding pole
- 1 Ramp with horizontal rope ladder made of polyamide Hercules ropes
- 1 Spiderweb net made of polyamide Hercules ropes
- 1 Propylene balancing rope end with holding rope made of polyamide Hercules ropes
- 1 Rope ladder
- 2 Horizontal bars 1.60 / 1.50 m

- 12 x 50 x 50 x 80 cm
- 2 x 60 x 60 x 80 cm
- Concrete needed:
ca. 1.80 m³
- 9 x 50 x 50 x 80 cm
- 1 x 95 x 50 x 80 cm
- 4 x 50 x 50 x 100 cm
- Concrete needed:
ca. 1.80 m³

- Total weight:
- ca. 910 kg
- ca. 920 kg
- Heaviest individual part:
- ca. 370 kg
- ca. 270 kg

- ca. 3 P. x ca. 8.0 h
- Hoisting equipment required
- ca. 3 P. x ca. 8.0 h

- 6 - 12 years

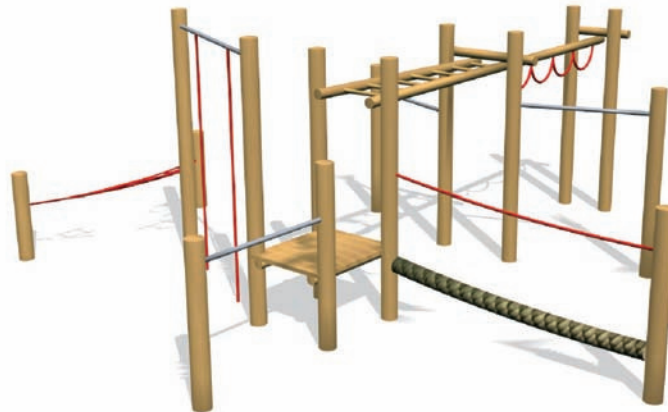
- 3.90 x 8.80 x 2.45 m
- 7.00 x 7.00 x 2.70 m

Playtime activity point Biel ●

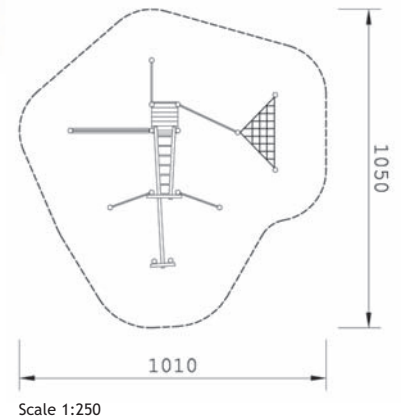
906182100 R

906182100 S

Playtime activity point Eisfeld



Robinia wood design



Components:

- 1 Square platform PH 0.70 m
- 3 Horizontal bars 1.20 / 1.70 / 1.50 m
- 1 Hanging loop made of polyamide Hercules ropes
- 1 Rope ladder
- 2 Vertical hanging ropes made of polyamide Hercules ropes
- 1 Triangular lying net made of polyamide Hercules ropes
- 1 Propylene balancing rope end with holding rope made of polyamide Hercules ropes

- 2.25 m
- 2.10 m

EN 1176

Design options

K
Coniferous wood:
Spruce/pine, green,
on galv. steel feet

L
Coniferous wood:
Larch/Douglas fir,
glazed, on galv. steel
feet

R
Robinia / oak, glazed

S
Steel posts, galv.,
wooden parts oak

Playtime activity point Eisfeld ●

906182050 R

906182050 S

► Subject to technical modifications ► Regular maintenance checks