

Product Specification Sheet for:
Suspended Bridge 906192100R

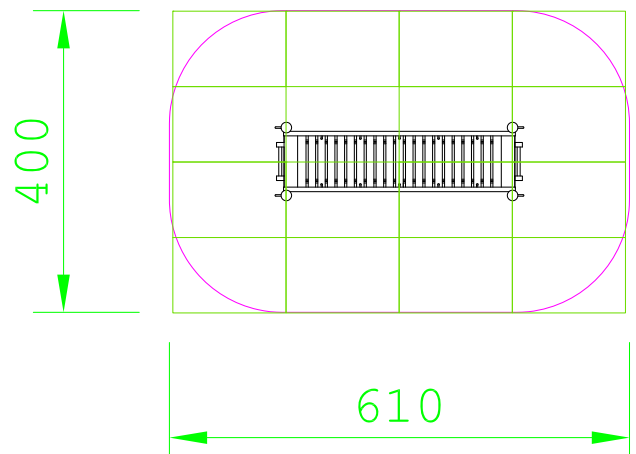
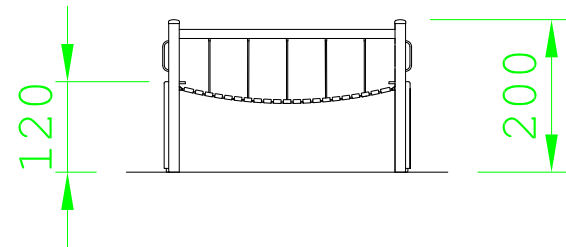


Compliant to EN1176



Product Name	Suspended Bridge
Product Code	906192100R
Material	BS EN 350-02 Class 1 Robinia Timber
Product Category	FHS Climbing and Balancing
Age Range	3 to 12
Product Type	Multi Activity Unit
Fixings	Stainless Steel Fixings & Galvanised Plates
Free Space Area m2	50.8
Free Space Loosefill m2	50.8
FFH	1.2
Area Required (LxW)	6.1 x 4
Grassmat Total (M ²)	n/a
Edge Length LM	n/a

Plan View
 Not to scale



Product Description

Bridges are an exciting add-on to a play area of any size. They can work particularly well in mounded areas or add to a themed space. The suspended bridge is a fantastic lookout point for children to stop and decide where next to explore.

www.jupiterplay.co.uk
info@jupiterplay.co.uk

HEAD OFFICE: 0131 445 7989
 SOUTHERN OFFICE: 0115 969 9859



Company No. SC200761

© Jupiter Play & Leisure Ltd. 2014.