

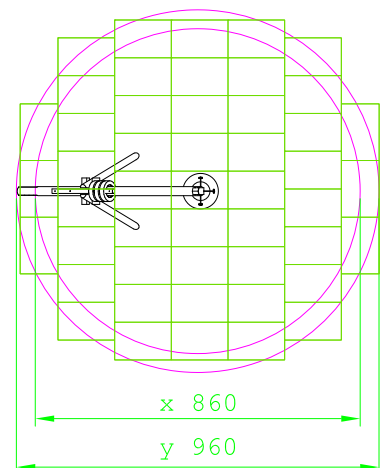
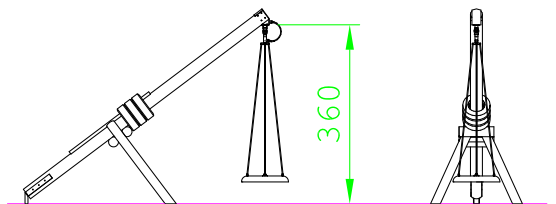
Product Specification Sheet for:  
**Pendulum Tyre Swing 904622100R**



Compliant to EN1176

|                                  |   |
|----------------------------------|---|
| Product Name                     | Pendulum Tyre Swing                         |
| Product Code                     | 904622100R                                  |
| Material                         | BS EN 350-02 Class 1 Robinia Timber         |
| Product Category                 | FHS Moving Equipment                        |
| Age Range                        | 8 to 14                                     |
| Fixings                          | Stainless Steel Fixings & Galvanised Plates |
| Free Space Area m2               | 58  |
| Free Space Loosefill m2          | 73  |
| FFH                              | 2.40  |
| Area Required (LxW)              | 8.8 (Dia) or 9.8 (Dia)                      |
| Grassmat Total (M <sup>2</sup> ) | 74  |
| Edge Length LM                   | 27  |

Plan View  
 Not to scale



**Product Description**

The pendulum swing is a very popular piece of equipment as it is suitable for lots of children. The swing helps users to develop a sense of rhythm, movement and manual strength. It also provides a social gathering place, particularly as a tyre swing.



Company No. SC200761

© Jupiter Play & Leisure Ltd. 2014.

[www.jupiterplay.co.uk](http://www.jupiterplay.co.uk)  
[info@jupiterplay.co.uk](mailto:info@jupiterplay.co.uk)

HEAD OFFICE: 0131 445 7989  
 SOUTHERN OFFICE: 0115 969 9859