

Product Specification Sheet for:
Sand Play System Till 905820150R



Compliant to EN1176

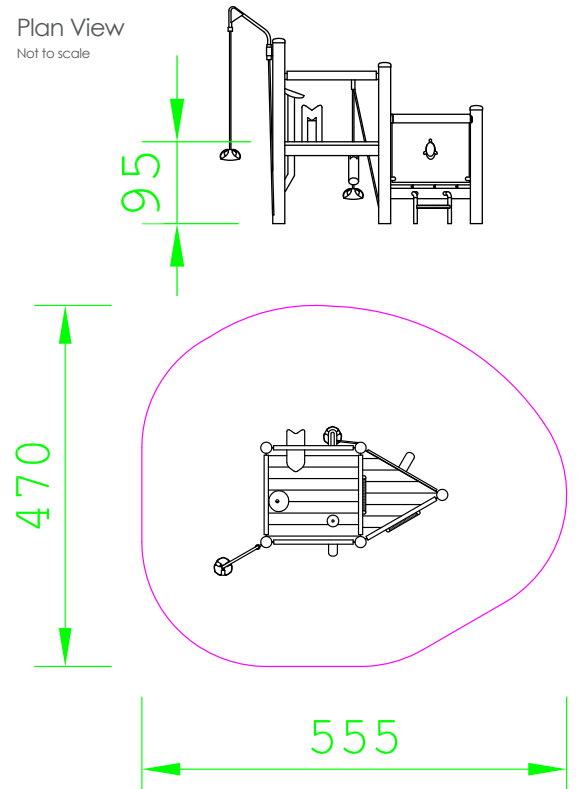


| | |
|----------------------------------|---|
| Product Name | Sand Play System Till |
| Product Code | 905820150R |
| Material | BS EN 350-02 Class 1 Robinia Timber |
| Product Category | FHS Sand & Water Play |
| Age Range | 3 + |
| Product Type | Sand Play Unit |
| Fixings | Stainless Steel Fixings & Galvanised Plates |
| Free Space Area m2 | 22 |
| Free Space Loosefill m2 | 22 |
| FFH | 0.95 |
| Area Required (LxW) | 5.55 x 4.7 |
| Grassmat Total (M ²) | n/a |
| Edge Length LM | 16.5 |

Product Description

A sand pulley, sand chute, sand tube and swivel crane amount to this exciting unit full of play value. From every side and every height, children can experiment with various mechanical items and move sand around the unit.

Plan View
 Not to scale



Company No. SC200761

© Jupiter Play & Leisure Ltd. 2014.

www.jupiterplay.co.uk
info@jupiterplay.co.uk

HEAD OFFICE: 0131 445 7989
 SOUTHERN OFFICE: 0115 969 9859