

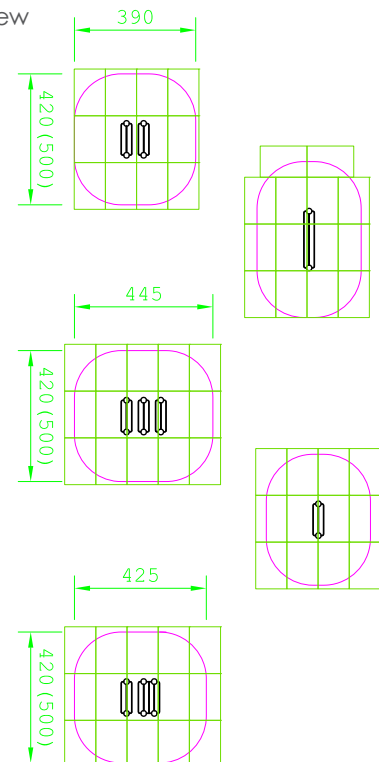
Product Specification Sheet for:
Sprawl Landscape 909231204R + 909232006R



Compliant to EN1176

Product Name	Sprawl Landscape
Product Code	909231204R
Material	BS EN 350-02 Class 1 Robinia Timber
Product Category	FHS Furniture
Age Range	4 to 14
Product Type	Seating
Fixings	Stainless Steel Fixings & Galvanised Plates
Free Space Area m2	Bespoke to Project
Free Space Loosefill m2	Bespoke to Project
FFH	0.6
Area Required (LxW)	Bespoke to Project
Grassmat Total (M²)	n/a
Edge Length LM	n/a

Plan View
 Not to scale



Product Description

The Sprawl landscape is an adaptable and flexible seating area which will enhance any natural play space. The timber ensures that even protected landscapes retain a natural feel whilst creating a seating area suitable for all.



Company No. SC200761

© Jupiter Play & Leisure Ltd. 2014.

www.jupiterplay.co.uk
info@jupiterplay.co.uk

HEAD OFFICE: 0131 445 7989
 SOUTHERN OFFICE: 0115 969 9859