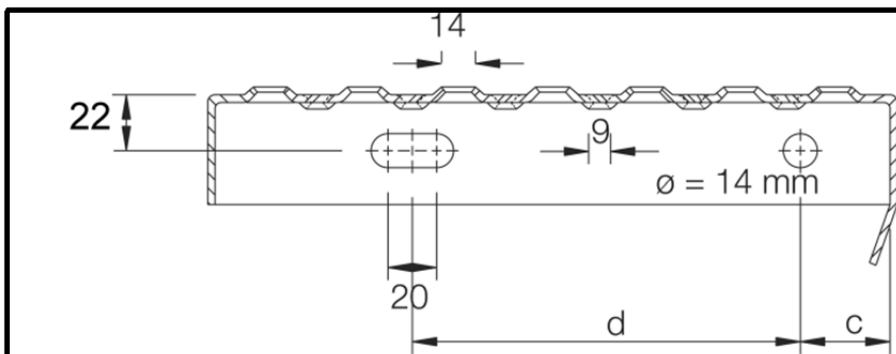
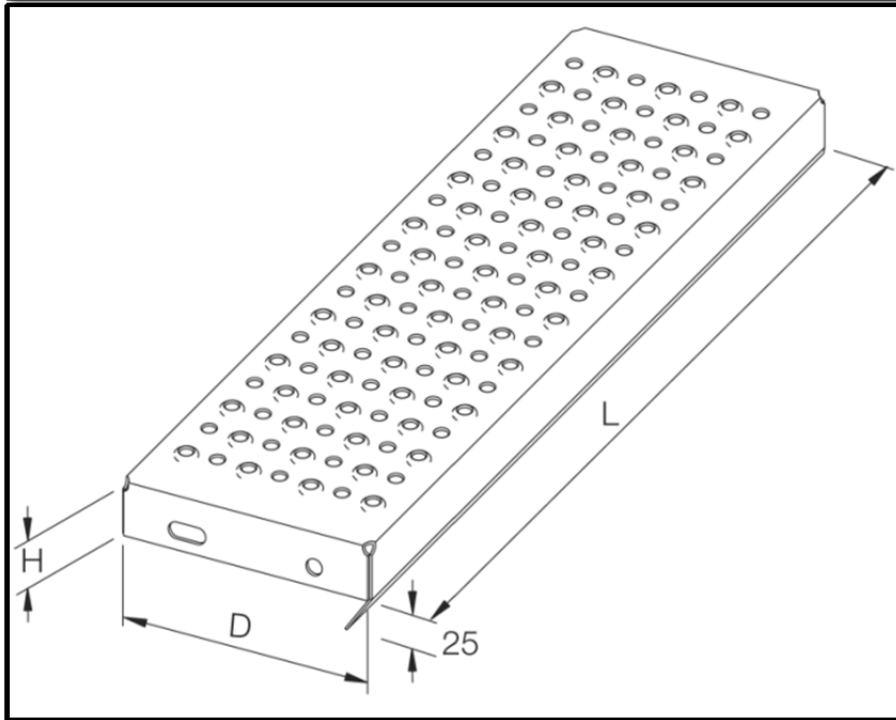
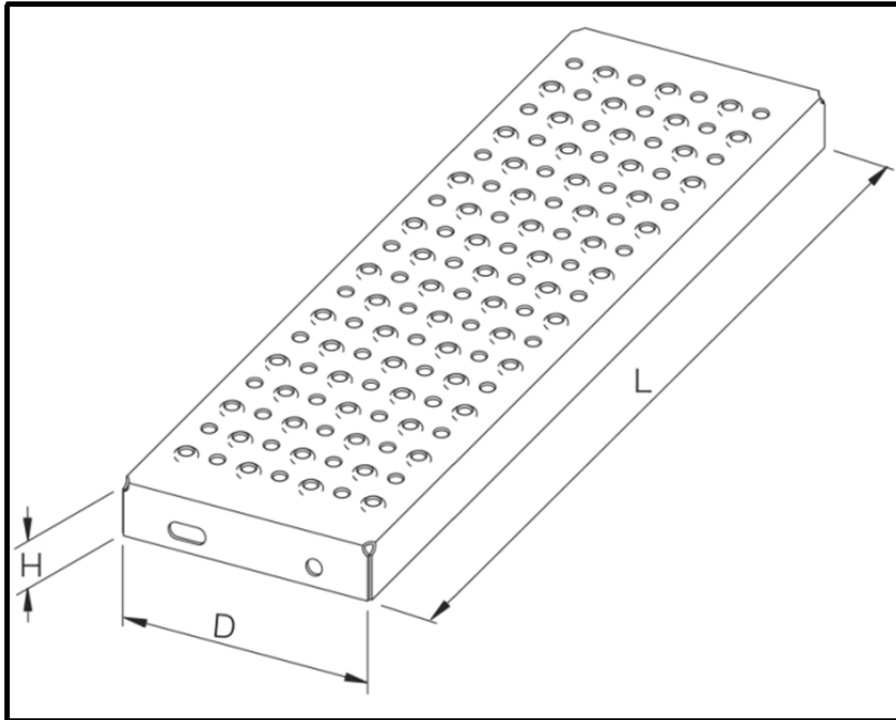


Type O3 Stair Treads

Stock List



Type O3 Stair Treads

Stock List

Galvanised O3 Perforated Stair Treads					
2mm thick Galvanised Steel to BS EN 1461:2009					
14mm dia raised hole, 9mm dia depressed hole (PTV51)					
Loading Designed in Accordance with BS4592: Part 0: 2006					
Length	Height	Depth	Depth	Depth	Depth
mm	mm	165	215	265	315
400	45	●	●	●	●
500	45	●	●	●	●
600	45	●	●	●	●
700*	45	●	●	●	●
800*	45	●	●	●	●
900*	45	●	●	●	●
1000*	45	●	●	●	●
1100*	60	●	●	●	●
1200*	60	●	●	●	●
1500*	60	●	●	●	●

** Toe deflector to front edge*

● = available 7/10 working days subject to availability

Hole Positions		
Width	C	D
165	30	85
215	40	135
265	40	165
315	40	210