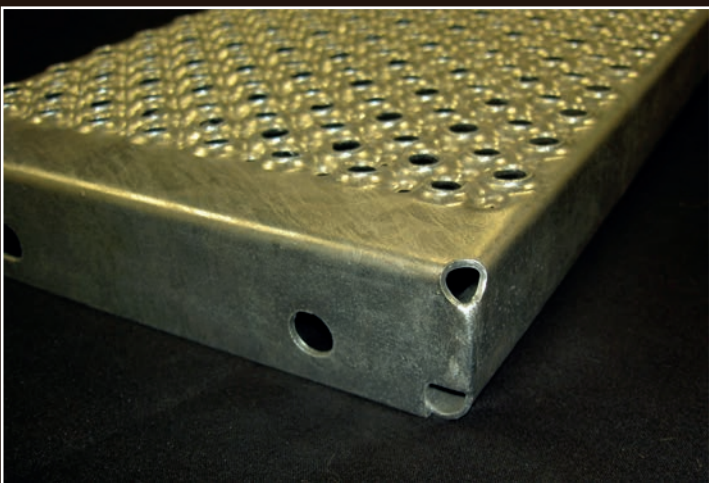
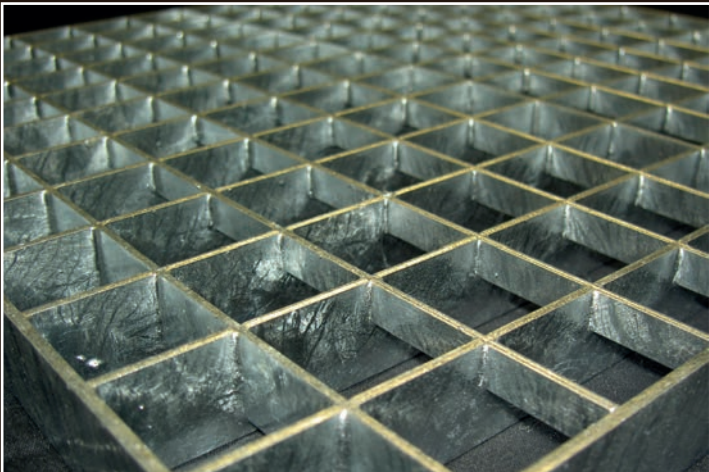




Elefant gratings

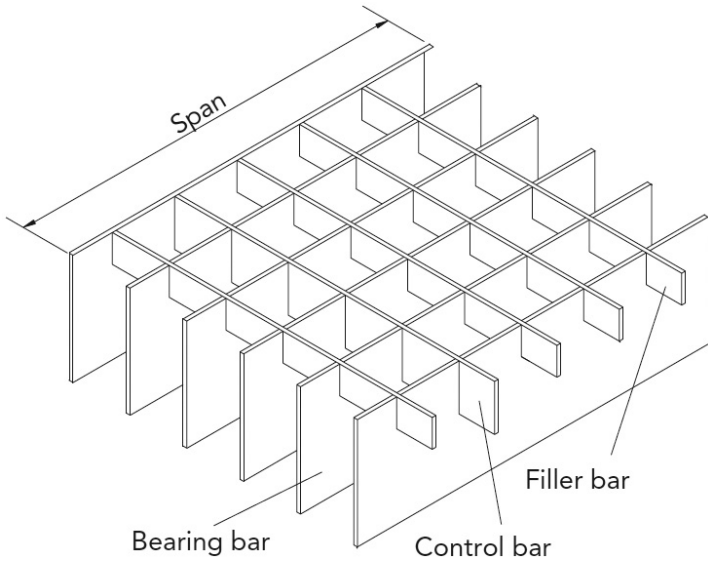
"Our Strength is our Service"



STOCK LIST



Gratings Type SP (ex stock 2/3 days, subject to availability at time of order)

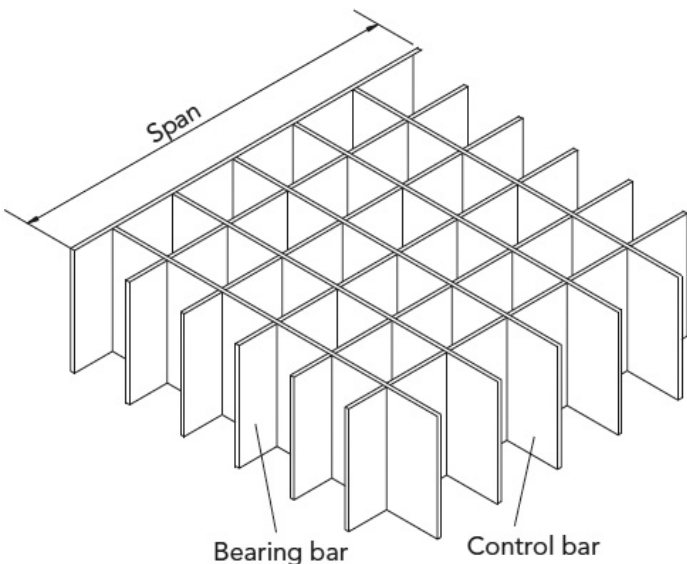


Galvanised Grating Panels "Type SP"					
Galvanised Carbon Steel to BS EN 1461:2009					
(Individual loading details available on request for each item)					
Bars mm	Span mm	Length mm	Mesh		
			30x30mm	15x30mm	9x30mm
Item Stock Codes					
20x2	500	1000			10100
	600	1000			10120
25x2	400	1000	10950		
	500	1000	11000	10350	
	500	1500	11050	10400	
	600	1000	11100	10450	
	600	1500	11150	10500	
	700	1000	11200	10550	
	700	1500	11250	10600	
	800	1000	11300	10650	10150
	800	1500	11350	10700	
	900	1000	11400	10750	
30x2	900	1500	11450	10800	
	1000	1000	11500	10850	10200
	1000	1500	11550	10900	10210
	1200	1000	11720		

Self Colour Grating Panels "Type SP"					
Carbon Steel - Mill Finish					
No edge bars, ready for fabrication					
Bars mm	Span mm	Length mm	Mesh		
			30x30mm	20x30mm	9x30mm
Item Stock Codes					
25x2	1000	1000	11740		10250
	1000	1500		11730	10300
	1000	2000	11750		
30x2	1000	1000	11790		
	1000	2000	11800		
	1200	2000	11850		

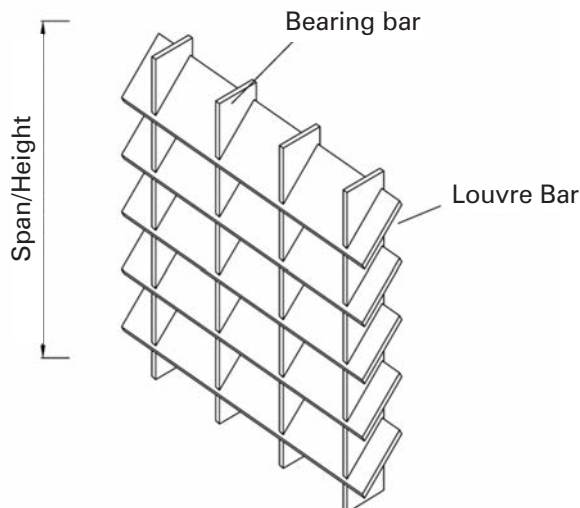
Stainless Steel Grating Panels "Type SP"					
Stainless Steel Grade BS EN 1.4301 (304) Mill Finish					
No edge bars, ready for fabrication					
Bars mm	Span mm	Length mm	Mesh		
			30x30mm		
Item Stock Codes					
25x2	1000	1000	30100		
	1000	2000	30150		
30x2	1000	1000	30200		
	1000	2000	30250		

Gratings Type N (ex stock 2/3 days, subject to availability at time of order)



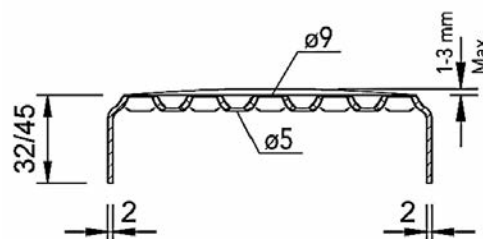
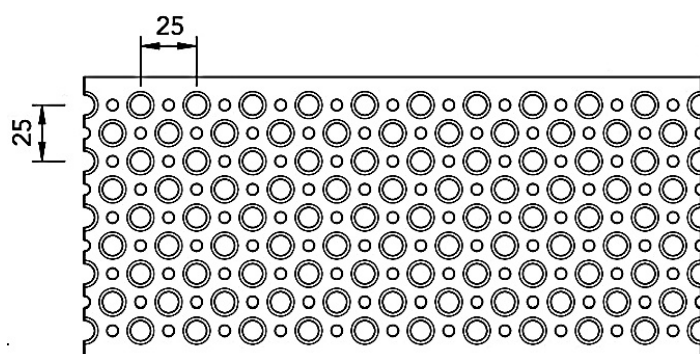
Self Colour Grating Panels "Type N"					
Carbon Steel - Mill Finish					
No edge bars, ready for fabrication					
Bars mm	Span mm	Length mm	Mesh		
			30x30mm	97x37mm	
Item Stock Codes					
25x2	1100	1200	12450		
25x3	1100	1500		12400	

Gratings Louvre (ex stock 2/3 days, subject to availability at time of order)



Self Colour "Louvre" Grilles						
Carbon Steel - Mill Finish						
No edge bars, ready for fabrication						
Vertical Bars	45° Louvre Bars	Span/Height	Width	Type	Mesh	
					20x60mm	50x80mm
mm	mm	mm	mm		Item Stock Codes	
20x2	30x2mm	2000	1200	Closed	11890	
30x2	50x2mm	2000	1200	Open		11895

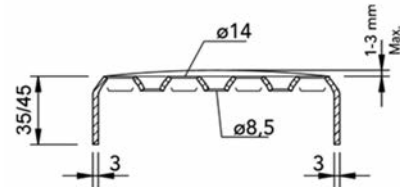
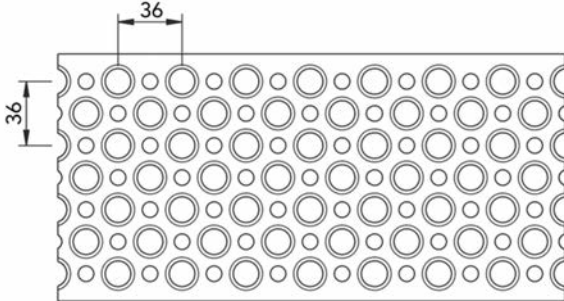
Planks Type O2 (ex stock 2/3 days, subject to availability at time of order)



Perforated Planks Type "O2"			
2mm thick Carbon Steel			
9mm dia raised hole, 5mm dia depressed hole (Average Wet PTV50)			
(Contact sales for information on loading)			
Mill Finish or Hot Dip Galvanised to BS EN 1461:2009			
Item Codes	Width/Depth	Length	Weight
	mm	mm	Kgs/each
22350	30/30	2100	2.52
22400	50/32	6000	8.76
22450	62/32	6000	9.78
22500	75/32	6000	10.98
22550	87/32	6000	12.18
22600	100/32	6000	13.38
22650	112/32	6000	14.58
22700	125/32	6000	15.78
22750	137/32	6000	16.98
22800	150/32	6000	18.18
22850	200/32	6000	20.28
22805	100/45	3000	9.00
22810	150/45	3000	9.40
22900	200/45	3000	11.31
22950	225/45	3000	12.27
23000	250/45	3000	13.23
23050	275/45	3000	14.19
23100	300/45	3000	15.15

Perforated Planks Type "O2"			
2mm thick Stainless Steel to BS EN 1.4301 (304) Mill Finish			
9mm dia raised hole, 5mm dia depressed hole (Average Wet PTV50)			
(Contact sales for information on loading)			
Item Codes	Width/Depth	Length	Weight
	mm	mm	Kgs/each
23310	30/30	2100	2.52
23320	50/32	3000	4.41
23330	62/32	3000	4.89
23350	75/32	3000	5.40
23400	87/32	3000	5.79
23450	100/32	3000	6.39
23500	112/32	3000	6.81
23550	125/32	3000	7.29
23600	137/32	3000	7.80
23650	150/32	3000	8.31
23700	200/32	3000	10.11
23660	150/45	3000	9.40
23750	200/45	3000	11.31
23800	225/45	3000	12.27
23850	250/45	3000	13.23
23900	275/45	3000	14.19
23910	300/45	3000	15.15

Perforated Planks Type O3 (ex stock 2/3 days, subject to availability at time of order)



Cross-section of plank

Perforated Planks Type "O3"

3mm thick Carbon Steel

14mm dia raised hole, 9mm dia depressed hole (Average Wet PTV51)
(Contact sales for information on loading)

Mill Finish or Hot Dip Galvanised to BS EN 1461:2009

Item Codes	Width/Depth	Length	Weight
	mm		
23950	63/35	6000	14.58
24000	81/35	6000	16.56
24050	99/35	6000	18.03
24100	117/35	6000	19.90
24150	135/35	6000	21.78
24200	153/35	6000	23.64
24250	171/35	6000	25.54
24300	189/35	6000	27.42
24350	207/35	6000	29.30
24400	225/35	6000	31.18
24450	243/35	6000	33.05
24500	261/35	6000	34.93
24550	333/35	6000	42.42

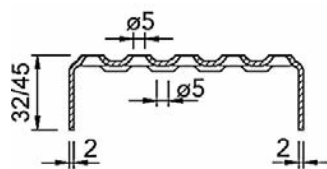
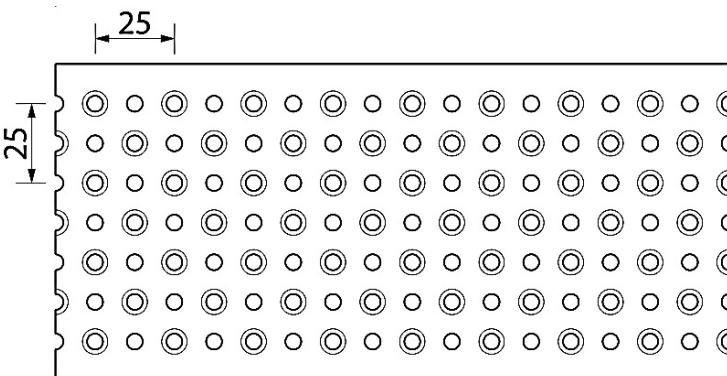
Perforated Planks Type "O3"

3mm thick Aluminium - Mill Finish

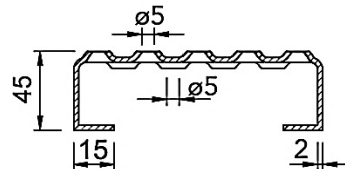
14mm dia raised hole, 9mm dia depressed hole (Average Wet PTV51)
(Contact sales for information on loading)

Item Codes	Width/Depth	Length	Weight
	mm		
24600	100/45	6000	8.82
24650	150/45	6000	10.92
24700	200/45	6000	12.78

Perforated Planks Type O5 (ex stock 2/3 days, subject to availability at time of order)



Cross-section of plank



Cross-section of plank

Perforated Planks Type "O5"

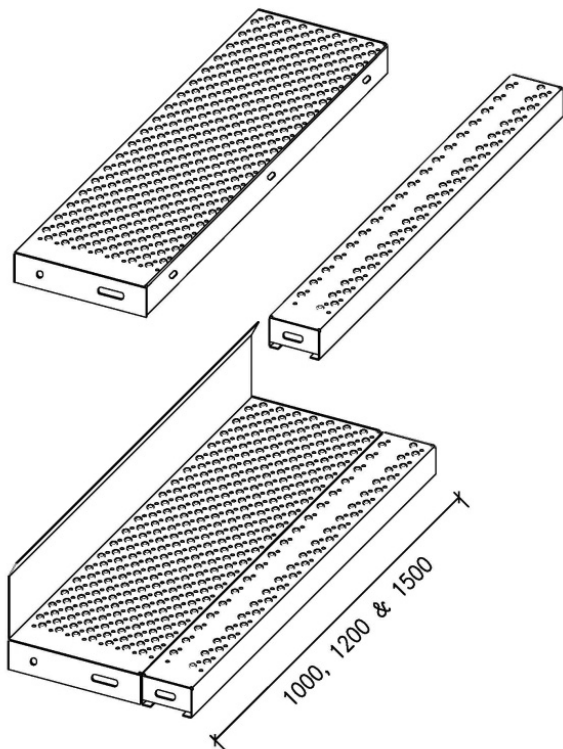
2mm thick Carbon Steel

5mm dia raised hole, 5mm dia depressed hole (Average Wet PTV79)
(Contact sales for information on loading)

Mill Finish or Hot Dip Galvanised to BS EN 1461:2009

Length	Width/Depth	Return Fold	Weight
mm	mm	mm	Kgs/each
6000	50/32	-	7.98
6000	62/32	-	9.90
6000	75/32	-	12.00
6000	87/32	-	12.78
6000	100/32	-	14.04
6000	112/32	-	15.30
6000	125/32	-	16.56
6000	137/32	-	17.82
6000	150/32	-	19.08
3600	200/45	-	11.50
3600	225/45	-	12.50
3600	250/45	-	13.50
3000	275/45	-	14.80
3000	300/45	-	15.80
3600	87/45	15	12.53
3600	100/45	15	14.40
3600	112/45	15	16.13
3600	125/45	15	18.00
3600	150/45	15	19.50

Stair Treads Types O5-MR (ex stock 2/3 days, subject to availability at time of order)



Galvanised O5-Mr Perforated Stair Treads

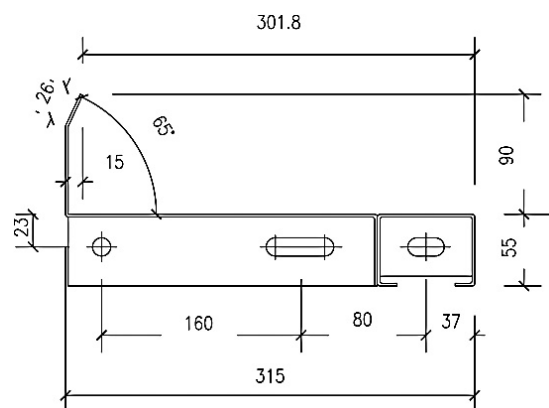
2mm thick Galvanised Steel to BS EN 1461:2009

5mm dia raised hole, 5mm dia depressed hole (PTV79)

Loading designed in accordance with BS EN 1991-1-1: 2002

Length	Height	Depth	
		315	315
mm	mm	With Riser	Without Riser
1000	55	●	●
1200	55	●	●
1500	55	●	●

● = available 7/10 working days subject to availability



O5-Mr Available with or without a riser

Stair Treads Type SP (ex stock 2/3 days, subject to availability at time of order)

Galvanised Treads "Type SP"

Galvanised Carbon Steel to BS EN 1461:2009

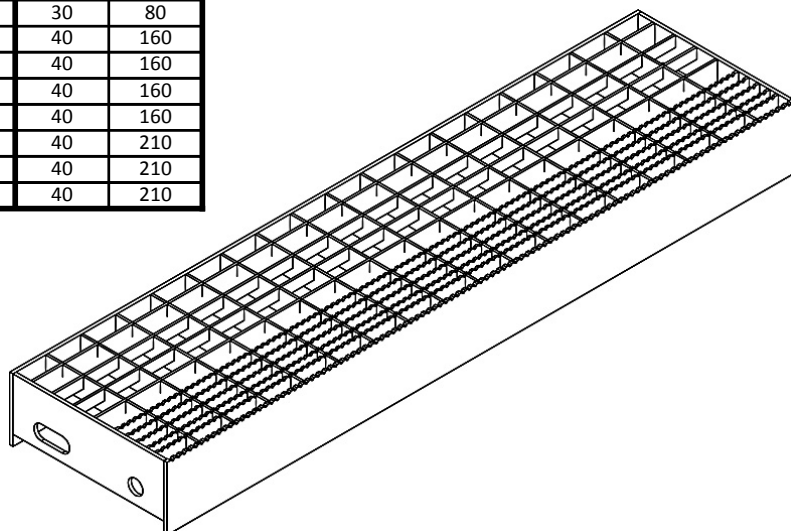
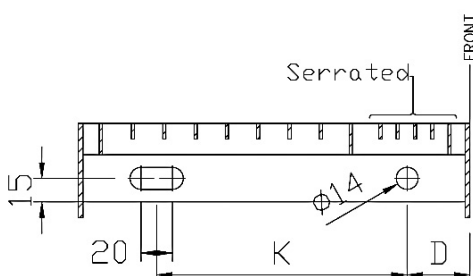
20x30mm mesh body with 9x30 mesh visual non-slip nosing

Loading designed in accordance with BS4592: Part 0: 2006

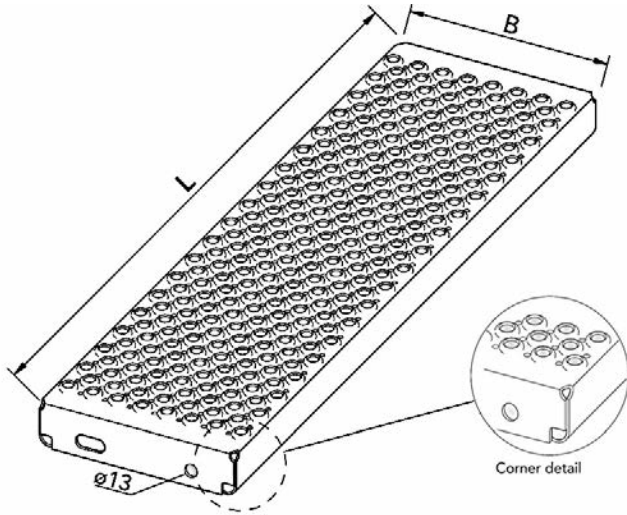
Fixing

Hole Positions

Bars	Length	Edge Bars		Depth			D	K
		Ends	Sides	150	250	300		
mm	mm	mm	mm	Item Stock Codes			mm	mm
20x2	500	50x3	60x3	11900			30	80
	600	50x3	60x3	11950			30	80
	700	50x3	60x3		12000		40	160
	800	50x3	60x3		12050		40	160
	900	50x3	60x3		12100		40	160
	1000	50x3	60x3		12150		40	160
	1000	60x3	60x3			12200	40	210
	1200	60x3	75x3			12250	40	210
	1500	70x3	75x3			12275	40	210

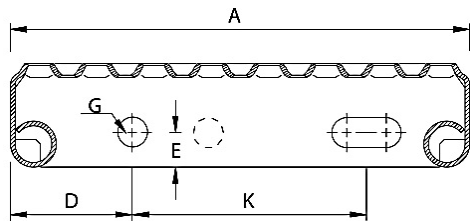


Stair Treads Type O2 "Achil" (ex stock 2/3 days, subject to availability at time of order)



Galvanised Treads Type "O2 Achil"							
2mm thick Galvanised Carbon Steel to BS EN 1461:2009							
9mm dia raised hole, 5mm dia depressed hole (Average Wet PTV50)							
Loading designed in accordance with BS4592: Part 0: 2006							
Length mm	Height mm	Depth	Depth	Depth	Depth	Depth	Depth
		150	200	225	250	275	300
Item Stock Codes							
400	45	20100	20410	20770	–	–	–
500	45	20150	20420	20780	21120	–	–
600	45	20200	20450	20800	21150	21550	21950
700	45	20250	20500	20850	21200	21600	22000
800	45	20300	20550	20900	21250	21650	22050
900	45	20350	20600	20950	21300	21700	22100
1000	45	20400	20650	21000	21350	21750	22150
1100	57	–	20700	21050	21400	21800	22200
1200	57	–	20750	21100	21450	21850	22250
1500	57	–	20760	21110	21500	21900	22300

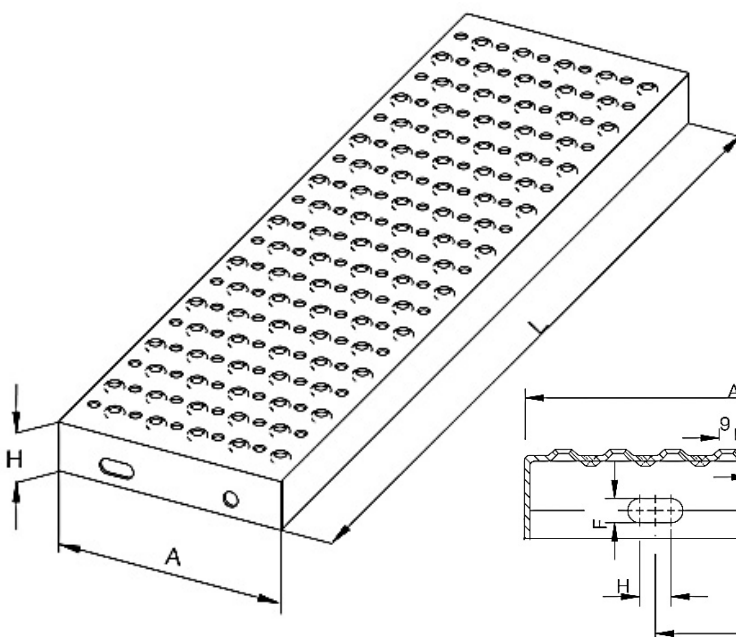
Isometric view of stair tread type O2-Achil®



Cross-section

Fixing Hole Positions				
A	D	E	G	K
150	35	15	13	78
200	45	15	13	102
225	45	15	13	127
250	50	15	13	142
275	62	15	13	143
300	50	15	13	192

Stair Treads Type O2 (ex stock 7/10 days, subject to availability at time of order)

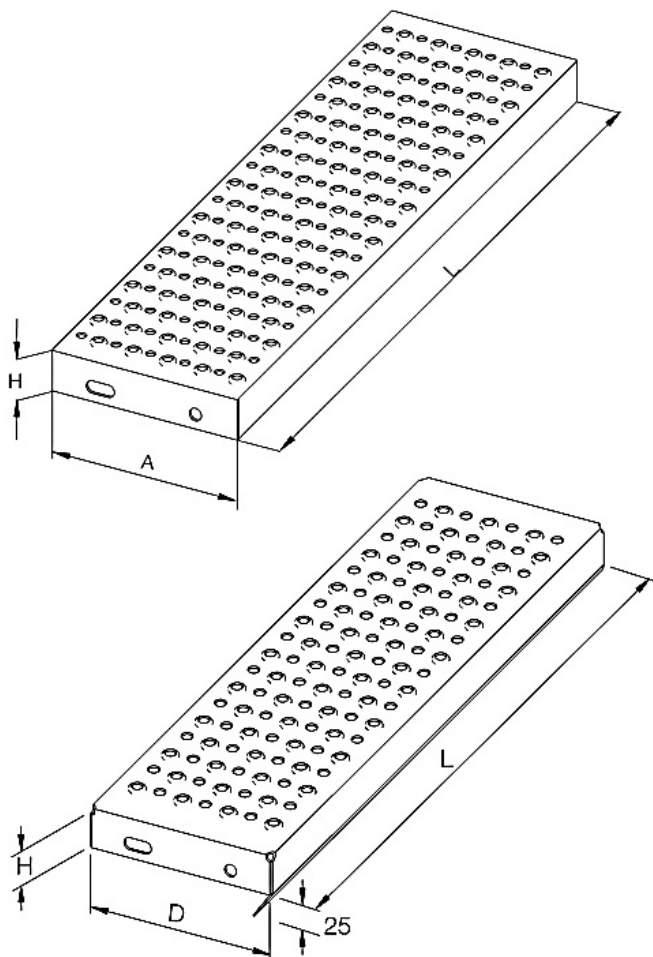


Stainless Steel Treads "Type O2"						
2mm thick Stainless Steel to BS EN 1.4301 (304)						
9mm dia raised hole, 5mm dia depressed hole (PTV50)						
Loading designed in accordance with BS4592: Part 0: 2006						
Length mm	Height mm	Depth	Depth	Depth	Depth	Depth
		200	225	250	275	300
500	45	•	–	–	–	–
700	45	•	•	•	–	–
800	45	•	•	•	•	•
900	45	•	•	•	•	•
1000	45	•	•	•	•	•
1200	45	–	–	•	–	–

• = available 7/10 working days subject to availability

Fixing Hole Positions					
A	D	E	F	H	K
200	35	15	13	17	102
225	45	15	13	17	127
250	45	15	13	17	142
275	50	15	13	17	143
300	62	15	13	17	192

Stair Treads Type O3 (ex stock 7/10 days, subject to availability at time of order)

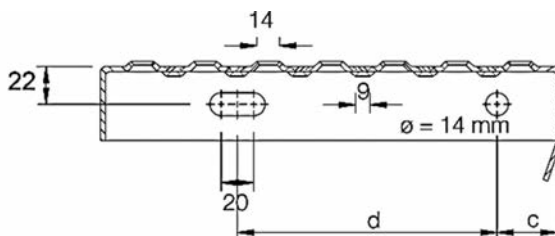


Galvanised Treads "Type O3"					
2mm thick Galvanised Carbon Steel to BS EN 1461:2009					
14mm dia raised hole, 9mm dia depressed hole (PTV51)					
Loading Designed in Accordance with BS4592: Part 0: 2006					
Length	Height	Depth	Depth	Depth	Depth
mm	mm	165	215	265	315
400	45	●	●	●	●
500	45	●	●	●	●
600	45	●	●	●	●
700*	45	●	●	●	●
800*	45	●	●	●	●
900*	45	●	●	●	●
1000*	45	●	●	●	●
1100*	60	●	●	●	●
1200*	60	●	●	●	●
1500*	60	●	●	●	●

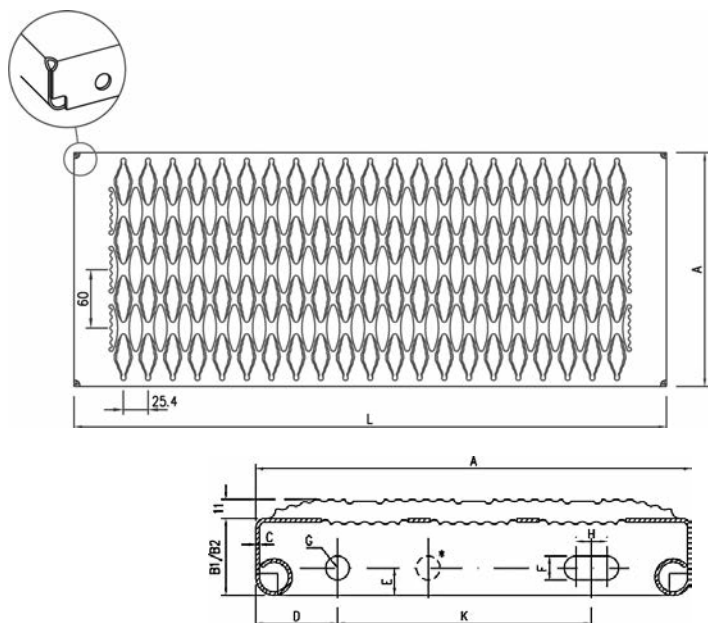
** Toe deflector to front edge*

● = available 7/10 working days subject to availability

Hole Positions		
Depth	C	D
165	30	85
215	40	135
265	40	165
315	40	210



Stair Treads Type USA (ex stock 7/10 days, subject to availability at time of order)



Galvanised Treads "Type USA Achil"				
2mm thick Galvanised Carbon Steel to BS EN 1461:2009				
Loading designed in accordance with BS EN 4592: Part 0: 2006				
Length	B1/B2	Depth	Depth	Depth
mm	mm	180	240	300
609	42	●	●	●
762	42	●	●	●
914	42	●	●	●
1066	42	●	●	●
1219	54	●	●	●
1371	54	●	●	●
1524	54	●	●	●

● = available 7/10 working days subject to availability

Fixing Hole Positions				
A	D	E	G	K
180	40	15	13	100
240	45	15	13	140
300	45	15	13	190



Elefant Gratings Ltd

Unit 9 Invicta Business Park • London Road • Wrotham • Kent TN15 7RJ

Telephone: 01732 884123 • Fax: 01732 885962

Email: sales@elefantgratings.com • www.elefantgratings.com



Elefant Gratings (Ireland) Ltd

Unit 7 • Quin Road business Park • Quin Road • Ennis • Co. Clare

Telephone: +353 65 6841313 • Fax: +353 65 6841303

www.elefantgratings.ie • sales@elefantgratings.ie