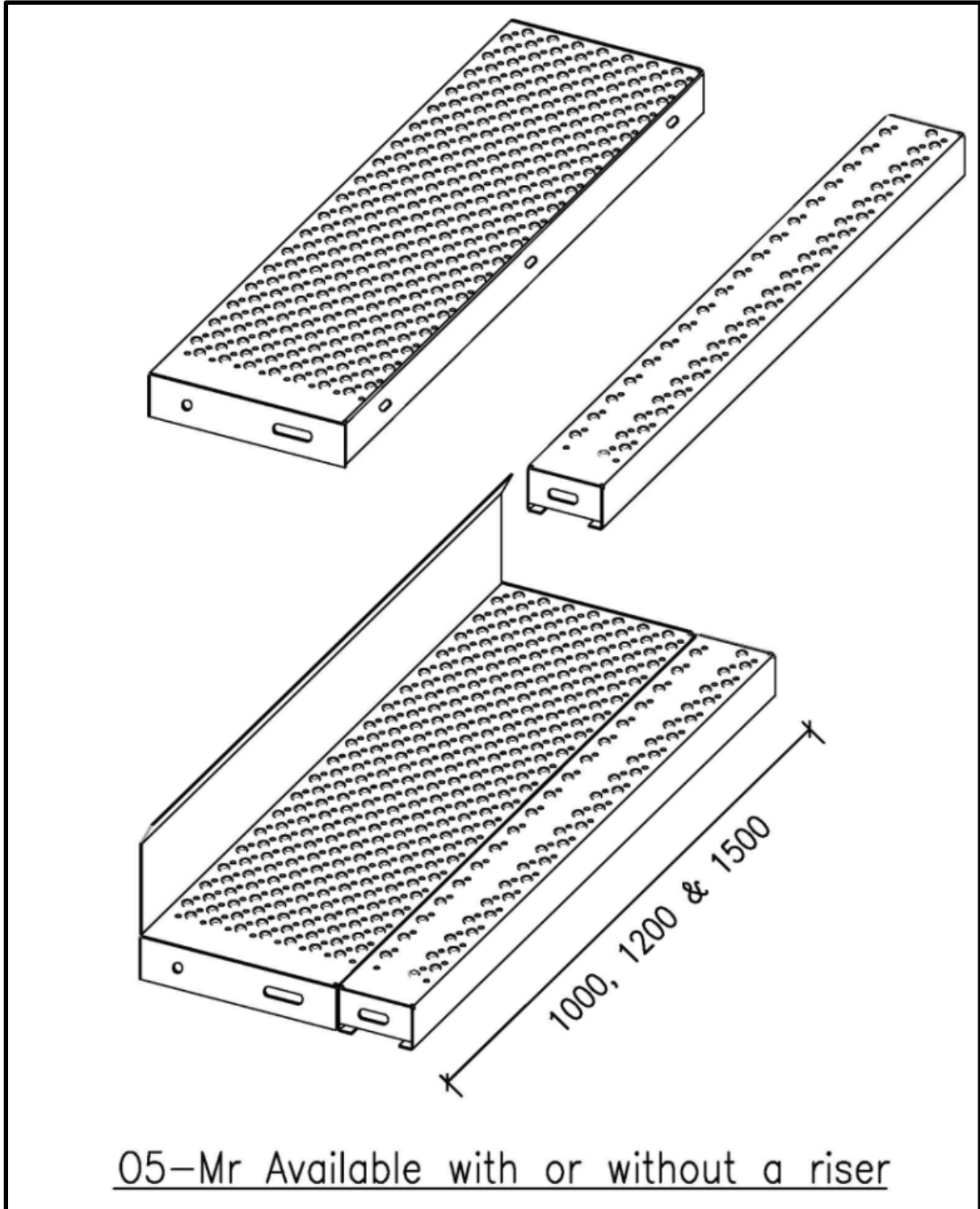


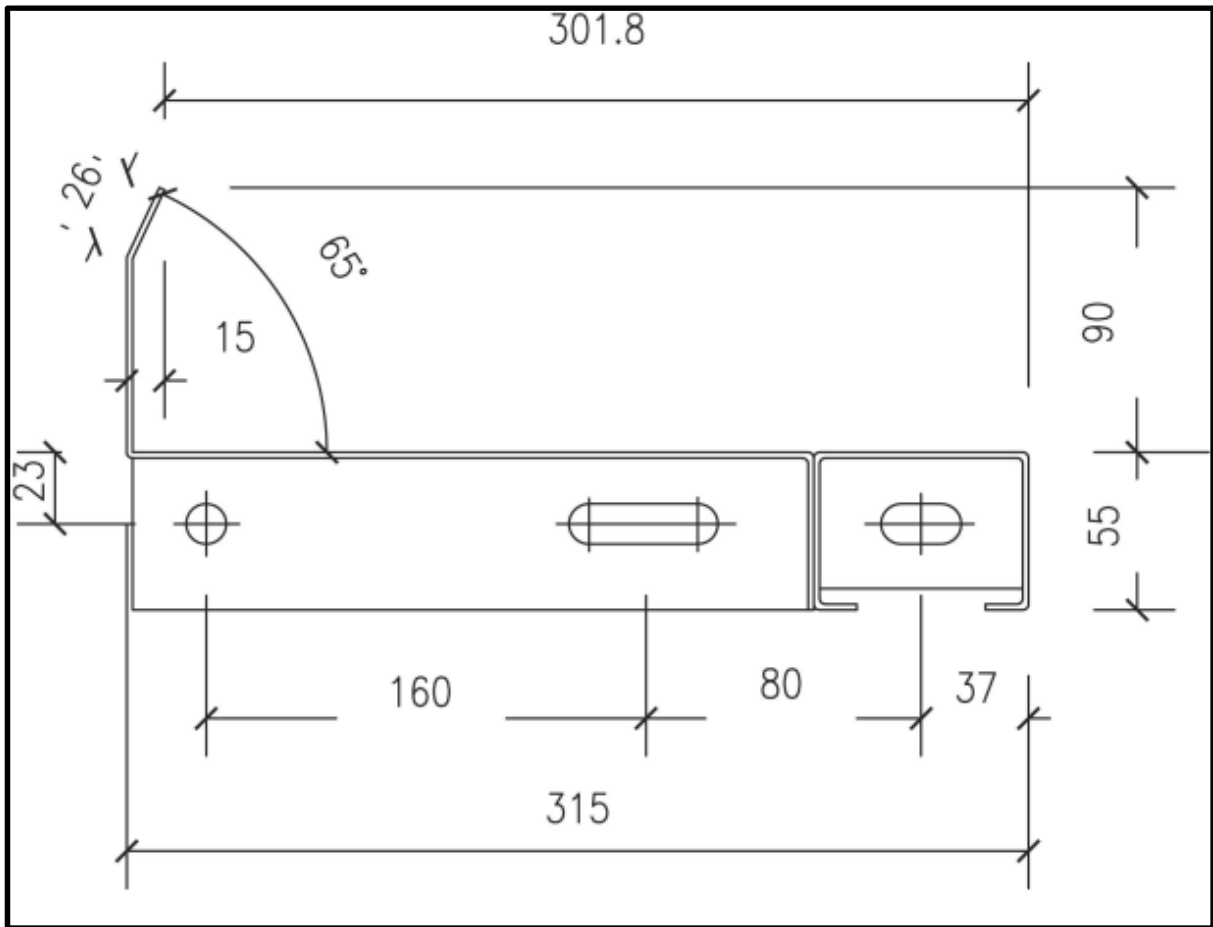
Type O5-MR Stair Treads

Stock List



Type O5-MR Stair Treads

Stock List



Galvanised O5-Mr Perforated Stair Treads

2mm thick Galvanised Steel to BS EN 1461:2009

5mm dia raised hole, 5mm dia depressed hole (PTV79)

Loading designed in accordance with BS EN 1991-1-1: 2002

Length	Height	Depth	Depth
		315	315
mm	mm	With Riser	Without Riser
1000	55	•	•
1200	55	•	•
1500	55	•	•