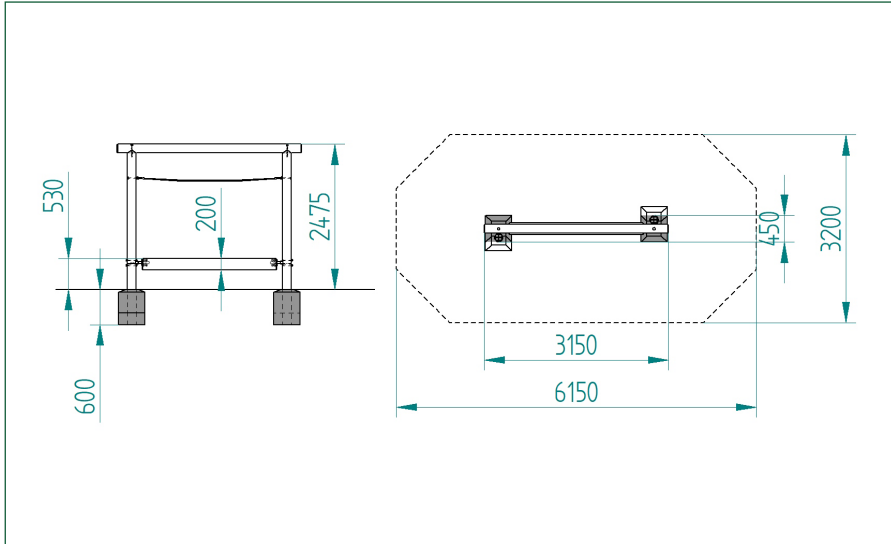


Product Code: PPLT0024-A *add "- SF" at the end of the code for the steel foot variant*
Product Description: Rock & Roll Log
Product Range: Low Level Timber Trail



* Steel Foot Option "-SF"



Age Suitability:	4yrs +
Critical Fall Height:	0.53m CFH
Surfacing Area Required:	NA
Recommended Free Space:	1.5m
Heaviest Part:	40 kg
Total Product Weight:	136 kg
Total Product Height:	2.4m



T: 0333 003 5133 **E:** sales@mmtimber.co.uk
M&M Timber, Hunt House Sawmills, Clows Top, Near Kidderminster, Worcestershire, DY14 9HY

www.mmtimber.co.uk    