

# Instructions for wear checks of play equipment

**Playground:** .....

**Date of assembly:** .....

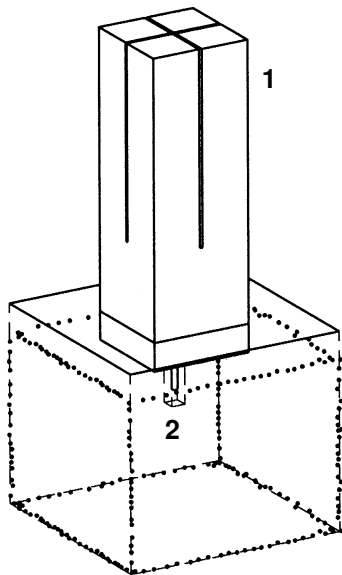
Checks depend on kind of equipment. Any equipment with moving parts must be checked at least twice a year, static equipment at least once a year.

Intervals for maintenance work and checks generally depend on:

- location
- kind of use
- frequency of use
- possible vandalism

**For more details see also "General instructions for maintenance of playgrounds"**

**Tuning Stone**  
Order no. 10.44000



**The equipment must be checked for correct operation and safety, especially the points listed below:**

Proof of maintenance

## Cleaning

**1** Clean the stone surface with water and soap using a sponge

1.	2.	3.
<input type="checkbox"/>	<input type="checkbox"/>	<input type="checkbox"/>

## Structural stability

**2** Check the attachment to the ground once a year

1.	2.	3.
<input type="checkbox"/>	<input type="checkbox"/>	<input type="checkbox"/>

Special notes (e. g. for repairs): .....

Special notes (e. g. for repairs): .....

Special notes (e. g. for repairs): .....

**Repair not carried out, it is still possible to play on the equipment**

1.	2.	3.
<input type="checkbox"/>	<input type="checkbox"/>	<input type="checkbox"/>

**Repair not carried out, equipment is taken out of action**

1.	2.	3.
<input type="checkbox"/>	<input type="checkbox"/>	<input type="checkbox"/>

**All work carried out, everything is in order**

1.	2.	3.
<input type="checkbox"/>	<input type="checkbox"/>	<input type="checkbox"/>

**Maintenance carried out by** .....

**Date** .....