

Play value

Even as basic equipment, the Platform House has Platform, House, Slide and Inclined Climbing Net and is a small, versatile play offer. Here house and cave games can develop and a variety of activities are stimulated. If the Platform House is also equipped with turning crane and sand chute, the play range is considerably expanded. Work games develop, communication is effected and cognitive processes are set in motion. The sturdy platform offers enough space for several children.



Order No. 4.14904 Platform House 4904



Order No. 4.14914 Platform House 4914

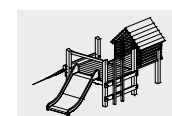
Fundamental characteristics

- child proportions according to ergonomic requirements
- natural wooden surface which appeals to the senses
- advantage of construction: thick floor boards of the platform allow for a big room below the platform without posts
- compact playground on a small surface, suitable for confined spaces
- combined play offers for role play, work games and movement
- movement: climbing, sliding, crawling, bending down, physical effort

Platform House 4904
Platform House 4914

Suitable

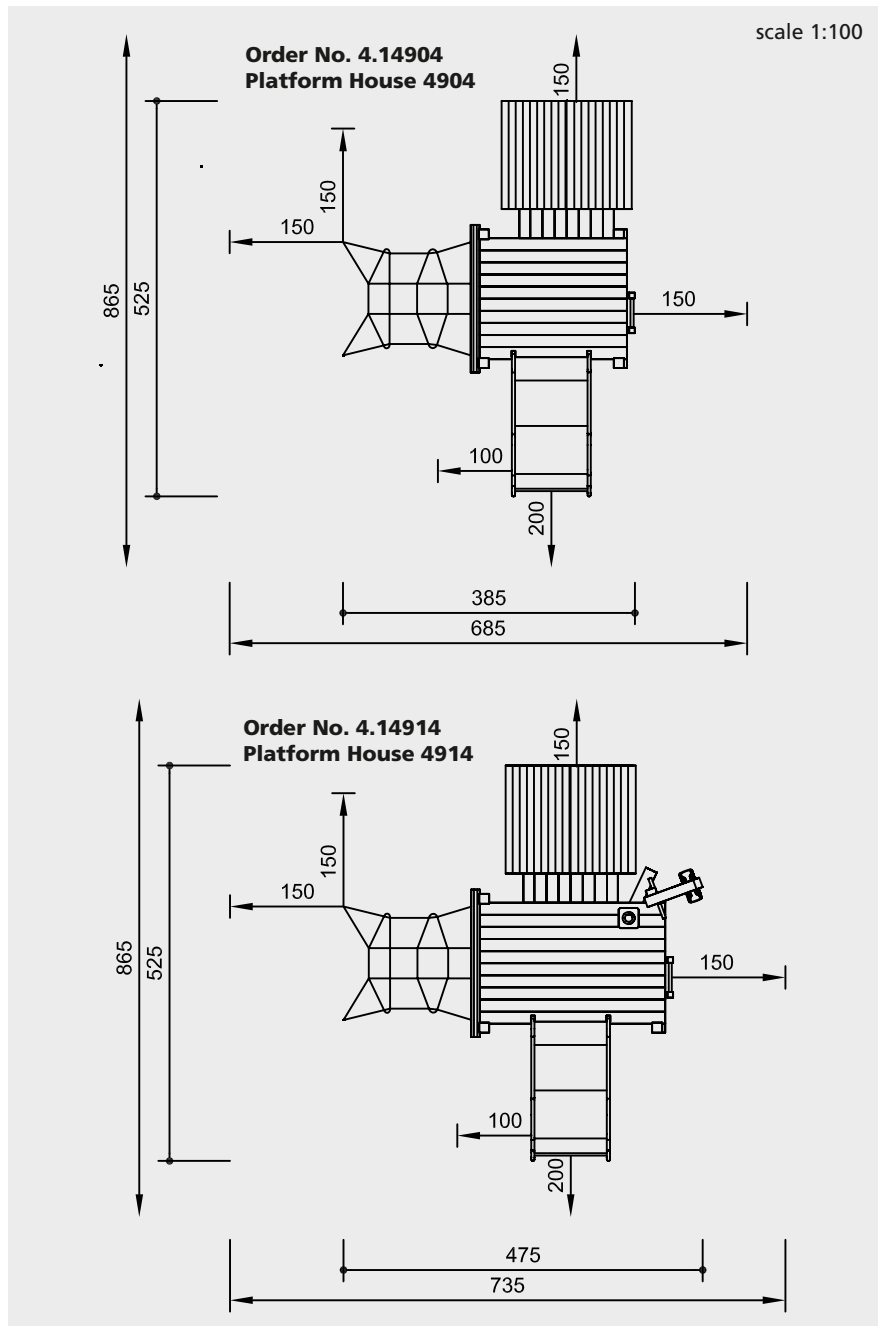
- for children from 3 years
- for public playgrounds
- playgrounds situated near houses
- nurseries
- children's homes
- therapy institutions for children
- school playgrounds
- leisure areas
- camp sites



4.14904



4.14914



scale 1:100

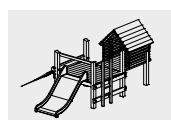
**Order No. 4.14904
Platform House 4904**

**Order No. 4.14914
Platform House 4914**

Safety check according to EN 1176

Components

- Order No. 4.14904**
 1 platform 1.60 x 2.00 m
 1 small platform house
 floor 1.25 x 1.80 m
 1 ladder, 1 climbing net 1.50 x 2.00 m
 1 wide slide, width 1.00 m
 with ground anchor
- Order No. 4.14914**
 1 platform 1.60 x 2.50 m
 1 small platform house
 floor 1.25 x 1.80 m
 1 ladder, 1 climbing net 1.50 x 2.00 m
 1 wide slide, width 1.00 m
 with ground anchor
 1 rotating crane with sand hoist
 1 sand chute
 1 shovel



4.14904



4.14914

Installation information

Surfacing requirements corresponding to a fall height of < 1.00 m (please refer to price list for more detailed information)

- Foundations**
Platform House
 6 items 60 x 60 x 60 cm
 excavation 80 cm
Climbing Net
 2 items 50 x 50 x 40 cm
 excavation 80 cm
Slide
 excavation depth for ground anchor 55 cm

Attention:
Exact measurements may vary, for all installation dimensions refer to current installation instructions.
 Technical changes reserved.

Materials

equipment of mountain larch, selected according to eight quality criteria

angle cut
 vertical support posts with angle cut in the end grain section as constructive wood preservation



core-free
 sawn-timbers are core-free, by that formation of cracks can be reduced



tongue and groove
 platform boards of 40 mm tongue and groove boarding



hardwood rungs
 climbing rungs of hardwood, milled and mortised, Ø 42 mm



fittings
 basic furnishings like a table and benches are built into the house and are a stimulus to role-play



Corocord@rope special ropes of „Hercules“ type
 climbing net of 19 mm six-strand Corocord@ rope of the special „Hercules“ type, abrasion protected through heating of the six steel strands and melting the polyamide sleeve onto them



aluminium swages
 double-conical aluminium swages with rounded-off ends



S-clamps
 neatly rounded Corocord@S clamps made of stainless steel, Ø 8 mm



ground anchor
 steel feet hot-dip galvanised



slide: overall construction of stainless steel, sides 2 mm thick, sliding surface 2.5 mm thick

**Order No. 4.14914
Platform House 4914**

milled-off tyres
 sand containers made of milled-off tyre segments to make the elements clean, smooth, soft and light



sand crane, revolving 350°, axial connected to post, with maintenance free turning mechanism

sand chute of plastic, wall thickness 7 mm

Dimensions
 (small deviations possible)

| Order No. | 4.14904 | 4.14914 |
|-----------------|---------|---------|
| overall length | 5.25 m | 5.25 m |
| overall width | 3.85 m | 4.75 m |
| total height | 2.40 m | 3.50 m |
| platform height | 1.00 m | 1.00 m |
| platform length | 2.00 m | 2.50 m |
| weight approx. | 630 kg | 730 kg |

For more detailed explanation of the quality characteristics see price list.