

# Instructions for wear checks of play equipment

The equipment must be checked for correct operation and safety, especially the points listed below:

Proof of maintenance

Playground .....

Date of installation .....

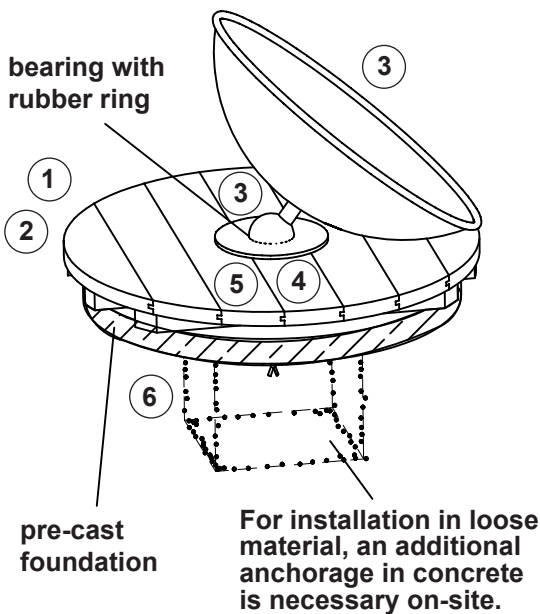
Checks depend on the type of equipment. Any equipment with moving parts must be checked at least twice a year, static equipment at least once a year.

Intervals for maintenance work and checks generally depend on

- location
- kind of use
- frequency of use
- possible vandalism

For more details see also "General instructions for maintenance of playgrounds".

**Wobble Dish**  
Order No. 6.27300



## Wooden parts

1. Check for rot and, if necessary, smooth splinters.
2. Check that all bolts and screws are tight and retighten if necessary.

## Wobbling mechanism

3. Check that the dish moves freely and remove accumulated debris if necessary. The rubber ring needs to be removed to do this.
4. Check bearing for wear and tear.
5. Check the screws/bolts are tight. If necessary retighten.

## Structural stability

6. In order to check the stability of the foundation uncover the foundation once a year.

Special notes, e.g. for repairs

Repair not carried out, it is still possible to play on equipment

Repair not carried out, equipment is taken out of action

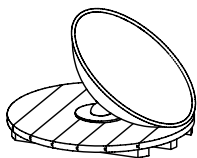
All work carried out, everything is in order

Maintenance carried out by:

For spare parts refer to back of page.

..... Date .....

**Spare Parts  
Wobble Dish  
Order No. 6.27300**



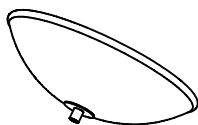
Please note that the safety standards of the equipment must not be affected. Therefore, when carrying out repairs it is helpful **to only use original parts.**

**Order No. Spare part**

**0.92286 bearing**



**0.92287 dish made of stainless steel**



**0.92288 universal joint with ball bearing**

