



**Function and Play value**

Children particularly enjoy damming water. Opening the bar gate gives them the opportunity to learn about the power of water in a playful way, so they learn how to handle the living force of the element water. They are able to experience how a dam works and can observe how the water builds up.

**Suitable**

- for small children's areas of:  
public playgrounds, play areas  
situated near houses, kindergartens,  
children's homes
- for water play zones in all  
spaces for play and experiences

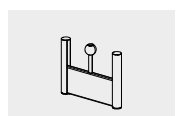


Order No. 5.28030 Board Gate

**Bar Gate  
Board Gate**

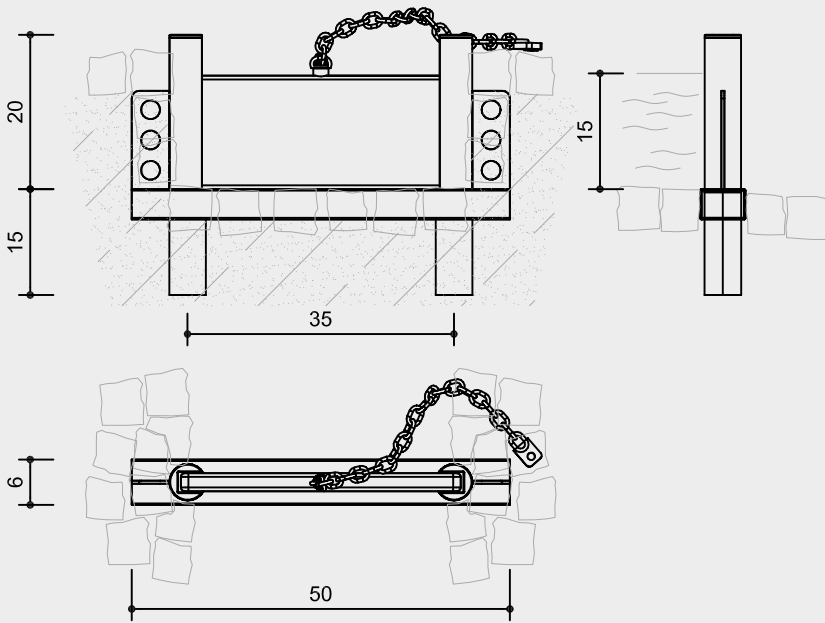


5.28030

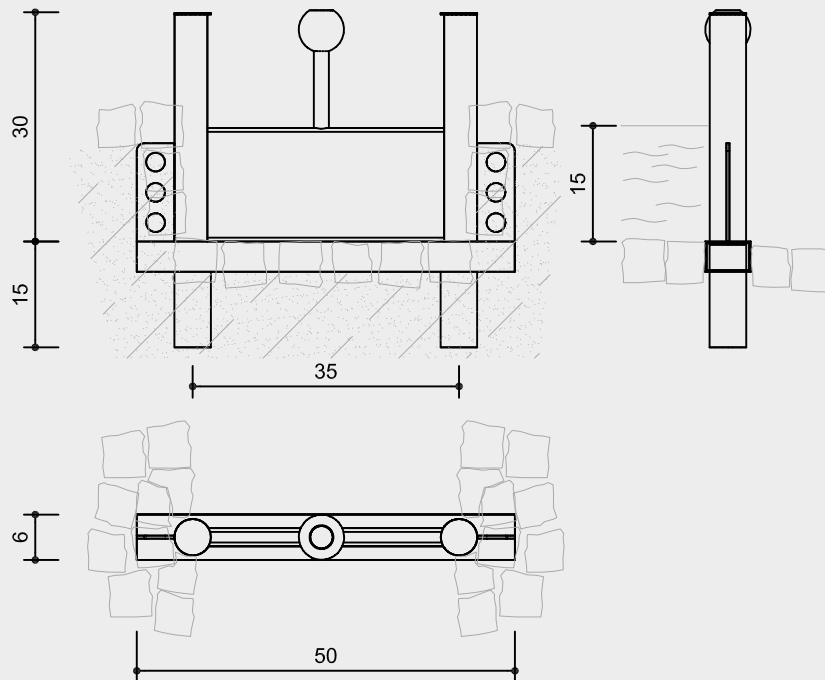


5.28031

**Order No. 5.28030 Board Gate**



**Order No. 5.28031 Bar Gate**

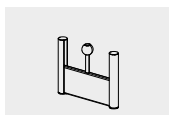


scale 1:10

Safety check according to EN 1176



5.28030



5.28031

**Technical information**

**Order No. 5.28030 Board Gate**

all metal parts are made of glass-bead blasted stainless steel

board made of impact-resistant, coloured-through, PUR plastic parts, black

**Dimensions**

(small deviations possible)

height	0.20 m
width	0.50 m
damming height	0.15 m
weight	7 kg

**Order No. 5.28031 Bar Gate**

all metal parts are made of glass-bead blasted stainless steel

board and ball head made of impact-resistant, coloured-through PUR plastic parts, black

**Dimensions**

(small deviations possible)

height	0.30 m
width	0.50 m
damming height	0.15 m
weight	8 kg

**Components**

1 part each

**Installation information**

Surfacing requirements  
Recommendation: sand with drainage and pavement with gully and corresponding landscaping.

All equipment can be easily installed into any artificial watercourse.

Foundations according to installation situation.

**Attention:**

**Exact measurements may vary, for all installation dimensions refer to current installation instructions.**

Technical changes reserved.