



Function and Play value

The Building Site is one of our “work” play offers and provides children with the opportunity to realistically mimic the working world of adults. Heavy loads can be moved using rollers, sand and gravel can be tipped into channels and tubes, a bucket wheel turns around and, depending on the model, a tipper tray also fills up. Carrying out a joint undertaking fosters creative cooperation. The structure should be installed in a bed of sand or gravel. This will allow the element of earth to be ideally incorporated into the play activity.

Fundamental characteristics

- child-oriented dimensions according to ergonomic knowledge
- naturally shaped de-barked posts
- appealing to the senses with its space-defining design
- high-quality design
- numerous play offers
- sturdy tongue and groove floor allows for large play space below the platform
- high play value with low space requirement
- can be combined with other equipment
- incentive for playing: sand hoists, sand wheel, chains
- movement: physical exertion, climbing

Suitable

- for children from 3 years of age
- for public playgrounds
- playgrounds situated near houses
- kindergartens/nurseries
- children’s homes
- leisure areas of elementary schools



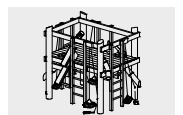
Order No. L5.01000 Building Site larch version

Building Site

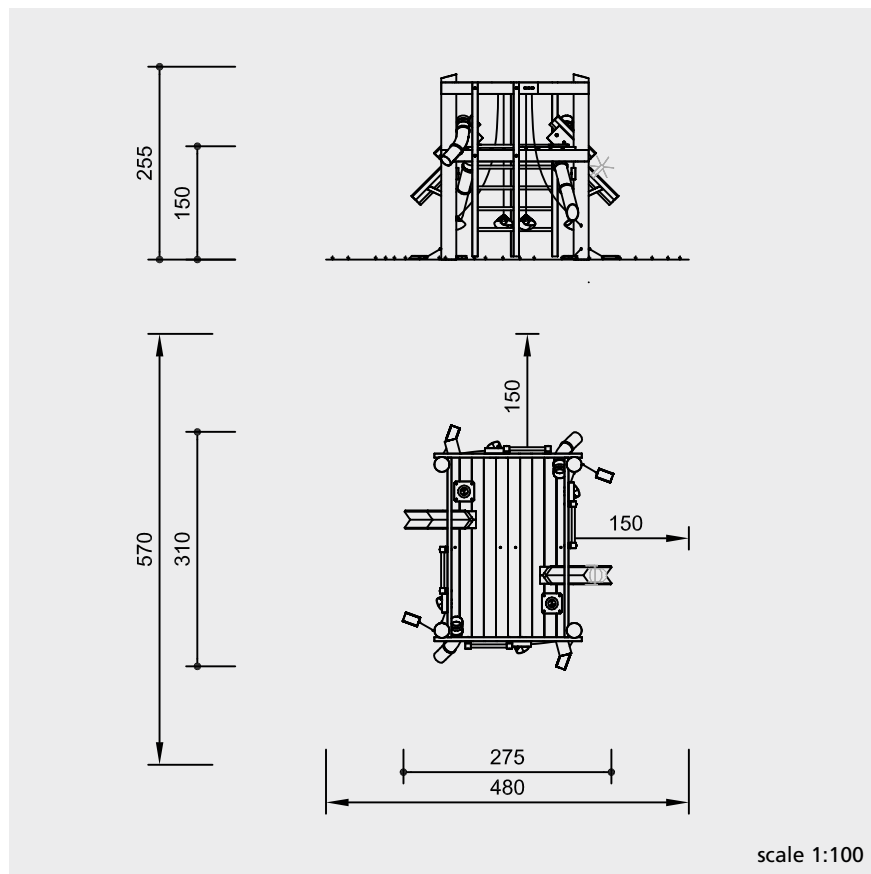


© Richter Spielgeräte GmbH 10/15

Design and Copyright



5.01000



safety check according to EN 1176

Components

- 1 platform
- 4 ladders
- 4 sand hoists with 4 shovels
- 4 sand pipes
- 2 sand chutes, 2 levels, 1 sand wheel

Installation information

Surfacing requirements corresponding to a fall height of ≤ 1.50 m (please refer to price list for more detailed information)
Sand is required for correct functioning.

Foundations
4 items 60 x 60 x 60 cm
excavation depth 80 cm

Attention:
Exact measurements may vary, for all installation dimensions refer to current installation instructions.
Technical changes reserved.
Equipment also available with steel feet or made of larch.

Technical information

de-barked

de-barked posts, \varnothing 18 - 21 cm, of spruce/fir, boiler pressure impregnated according to DIN 68800-3, use class 4



angle cut

vertical stand posts with angle cut in the end grain section as constructive wood preservation



perforated

the earth/air zone of the wood is perforated by small bore holes to ensure that the impregnating agent penetrates this particularly endangered zone



core-free

sawn timber of non-impregnated mountain larch, core-free thus decreasing the occurrence of cracking



tongue and groove

platform floor made of 40 mm tongue and groove boarding



hardwood rungs

climbing rungs of hardwood, milled and mortised, \varnothing 42 mm



chains

short-link chains, 5 mm, welded before hot-dip galvanisation (stainless steel chains available on request)



sand pipes made of plastic, wall thickness approx. 7 mm

sand container of textile-reinforced PAH-free rubber belt, 8 mm thick

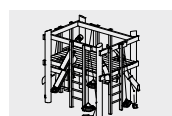
sand wheel hot-dip galvanised

Dimensions

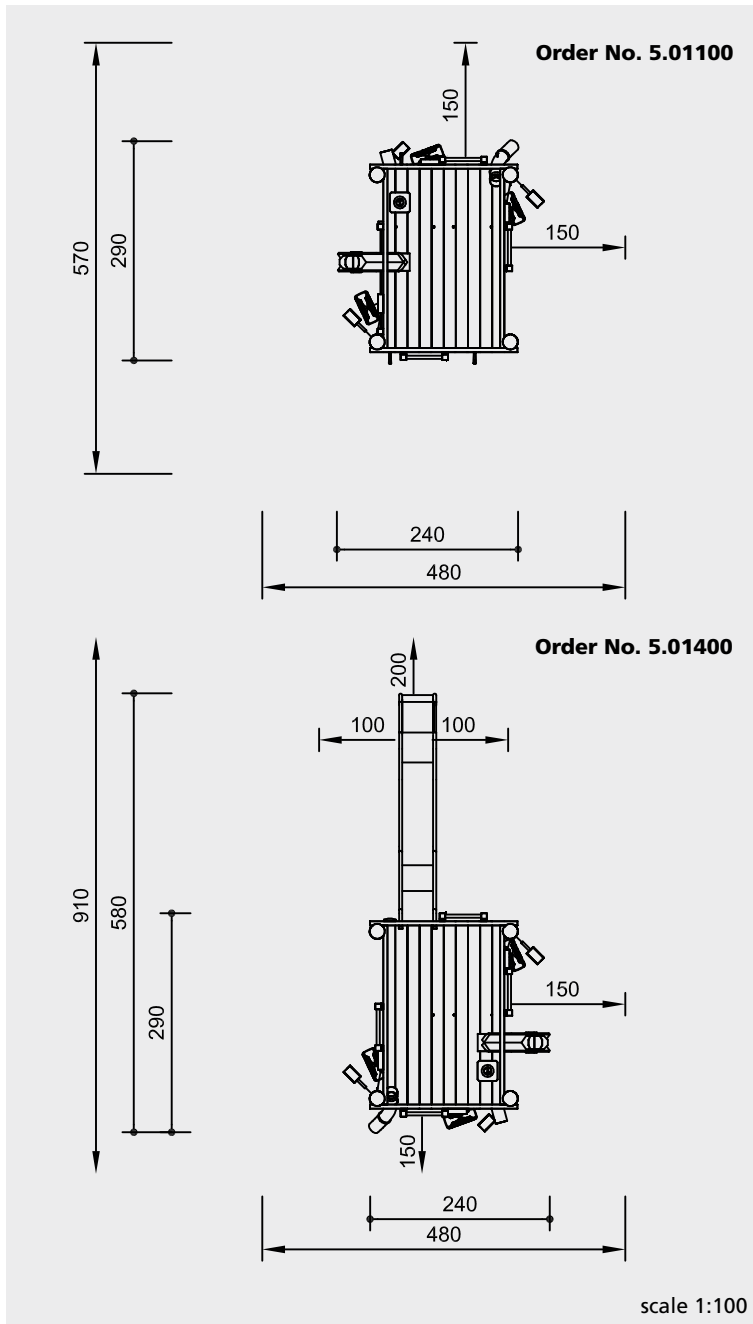
(small deviations possible)

height	2.55 m
platform height	1.50 m
platform floor	1.60 x 2.50 m
length	3.10 m
width	2.75 m
weight	700 kg

Please refer to the price list for a more detailed explanation of the quality characteristics.



5.01000



safety check according to EN 1176

Components

Order No. 5.01100

- 1 platform
- 3 ladders
- 3 sand hoists with 3 shovels
- 2 sand pipes
- 1 sand chute, 2 levels, 1 sand wheel
- 3 walls
- 2 benches, 1 table

Order No. 5.01500

description of materials as before, but in addition:
 1 stainless steel slide with ground anchor Order No. 3.63020

Order No. 5.01400

- 1 platform
- 4 ladders
- 3 sand hoists with 3 shovels
- 2 sand pipes
- 1 sand chute, 2 levels, 1 sand wheel
- 1 stainless steel slide with ground anchor Order No. 3.63020

Installation information

Surfacing requirements corresponding to a fall height of ≤ 1.50 m (please refer to price list for more detailed information)
 Sand is required for correct functioning.

Foundations

Basic Building Site
 4 items 60 x 60 x 60 cm
 excavation depth 80 cm

Slide
 excavation depth for ground anchor 55 cm

Technical changes reserved.
Equipment also available with steel feet or made of larch.

Technical information

de-barked

de-barked posts, Ø 18-21 cm, of spruce/ fir, boiler pressure impregnated according to DIN 68800-3, use class 4



angle cut

vertical stand posts with angle cut in the end grain section as constructive wood preservation



perforated

The earth/air zone of the wood is perforated by small bore holes to ensure that the impregnating agent penetrates this particularly endangered zone.



core-free

cut timber of non-impregnated mountain larch, core-free thus decreasing the occurrence of cracking



claddings

thickness 4 – 5 cm, de-barked by hand, of non-impregnated mountain larch



tongue and groove

platform floor made of 40 mm tongue and groove boarding



hardwood rungs

climbing rungs of hardwood, milled and mortised, Ø 42 mm



one-piece construction

slide made of 2 mm stainless steel, mould-profiled longitudinally, no welding seams along the sliding surface



chains

short-link chains, 5 mm, welded before hot-dip galvanisation (stainless steel chains available on request)



sand pipes made of plastic, wall thickness approx. 7 mm
 sand container of textile-reinforced PAH-free rubber belt, 8 mm thick

sand wheel hot-dip galvanised

Dimensions

(small deviations possible)

height	2.55 m
platform height	1.50 m
platform floor	1.60 x 2.50 m
length	2.90 m
with slide	5.80 m
width	2.40 m
weight	

Order No. 5.01100 800 kg

Order No. 5.01400 700 kg

Order No. 5.01500 850 kg

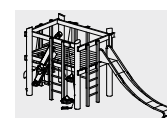
Attention:

Exact measurements may vary; for all installation dimensions refer to current installation instructions.

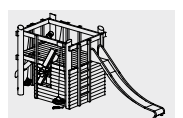
Please refer to the price list for a more detailed explanation of the quality characteristics.



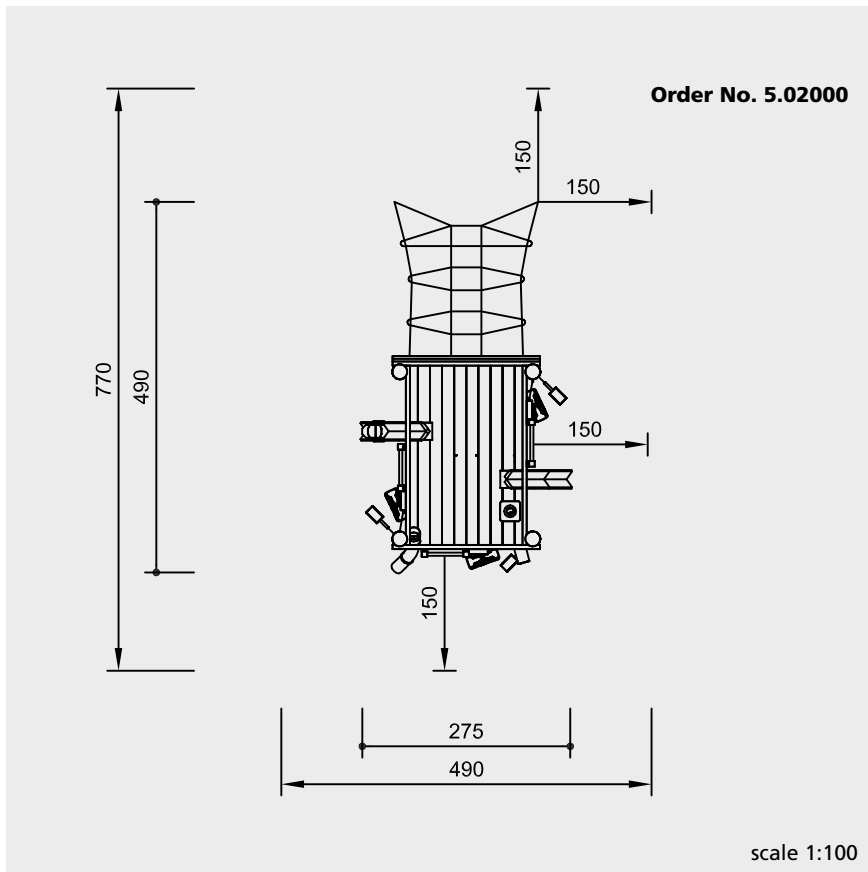
5.01100



5.01400



5.01500



safety check according to EN 1176

Components

- 1 platform, height 1.50 m
- 3 ladders
- 3 sand hoists with 3 shovels
- 2 sand pipes
- 2 sand chutes, 2 levels, 1 sand wheel
- 1 inclined climbing net

Installation information

Surfacing requirements corresponding to a fall height of ≤ 1.50 m (please refer to price list for more detailed information)
Sand is required for correct functioning.

Foundations

- Basic Building Site**
4 items 60 x 60 x 60 cm
excavation depth 80 cm
- Inclined Climbing Net**
2 items 50 x 50 x 40 cm
excavation depth 80 cm

Attention:

Exact measurements may vary; for all installation dimensions refer to current installation instructions.
Technical changes reserved.
Equipment also available with steel feet or made of larch with steel feet.



5.02000

Technical information

de-barked

de-barked posts, Ø 18 - 21 cm, of spruce/fir, boiler pressure impregnated according to DIN 68800-3, use class 4



angle cut

vertical stand posts with angle cut in the end grain section as constructive wood preservation



perforated

the earth/air zone of the wood is perforated by small bore holes to ensure that the impregnating agent penetrates this particularly endangered zone



core-free

sawn timber of non-impregnated mountain larch, core-free thus decreasing the occurrence of cracking



tongue and groove

platform floor made of 40 mm tongue and groove boarding



hardwood rungs

climbing rungs of hardwood, milled and mortised, Ø 42 mm



Corocord® rope

special ropes of "Hercules type"
six-strand Corocord® rope of the special "Hercules type", abrasion-protected through heating of the six steel strands and melting the polyester sleeve onto them, standard colour red



aluminium swages

double-conical aluminium swages with rounded-off ends



S-clamps

neatly rounded Corocord® S-clamps made of stainless steel, Ø 8 mm



rope connection fixed

close fitting connection without dangerous openings



chains

short-link chains, 5 mm, welded before hot-dip galvanisation (stainless steel chains available on request)



sand pipes made of plastic, wall thickness approx. 7 mm

sand container of textile-reinforced PAH-free rubber belt, 8 mm thick

sand wheel hot-dip galvanised

Dimensions

(small deviations possible)

height	2.55 m
platform height	1.50 m
platform floor	1.60 x 2.50 m
length	4.90 m
width	2.75 m
weight	700 kg

Please refer to the price list for a more detailed explanation of the quality characteristics.

Play value

Our Building Site Combination offers numerous opportunities for creative play and exercise. The platform can be reached via a climbing net and ladder, while the slide offers a swift getaway. The diverse “work” equipment, hut and the play area under the platform invite children to hide away and engage in different kinds of role-playing games. Working together on the building site is equally enjoyable for both big and small children.



Order No. L5.03000 Building Site Combination 03 larch version

Fundamental characteristics

- child-oriented dimensions according to ergonomic knowledge
- space-defining design and natural wooden surface appeal to the senses
- offers a range of play opportunities
- large play area underneath the platform
- incentive for playing: sand hoists, sand wheel, chains, climbing net, swing, slide
- movement: physical effort, climbing, swinging, sliding

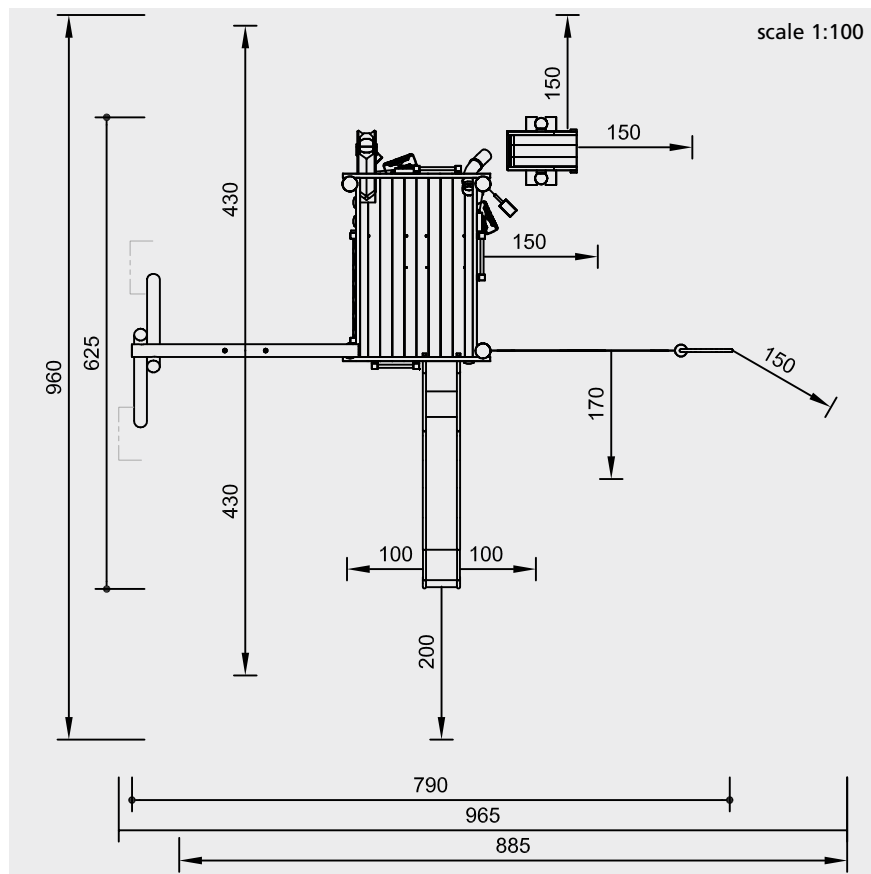
Suitable

- for children from 4 years of age
- for public playgrounds
- playgrounds situated near houses
- kindergartens
- after-school programmes
- children’s homes
- school playgrounds

Building Site Combination 03



5.03000



safety check according to EN 1176

Components

- 1 platform
- 3 walls
- 2 benches
- 1 table
- 3 ladders
- 2 sand hoists with 2 shovels
- 1 bent sand pipe
- 1 sand chute, 2 levels, 1 sand wheel
- 1 balustrade at the side of the swing
- 1 single swing with swing suspension
- 1 vertical climbing net with firemen's pole Order No. 3.69350
- 1 stainless steel slide with ground anchor Order No. 3.63020
- 1 sand tipper Order No. 5.01200

Installation information

Surfacing requirements depend on overall construction corresponding to a fall height of ≤ 2.00 m (please refer to price list for more detailed information)
Sand is required for correct functioning.

- Foundations**
- Basic Building Site**
4 items 60 x 60 x 60 cm
excavation depth 80 cm
 - Stainless Steel Slide**
excavation depth for ground anchor 55 cm
 - Vertical Climbing Net**
1 item 60 x 60 x 60 cm
excavation depth 80 cm
 - Firemen's Pole**
1 item 40 x 40 x 30 cm
excavation depth 50 cm
 - Single Swing**
2 items 60 x 70 x 60 cm
excavation depth 80 cm
 - Sand Tipper**
1 item 135 x 60 x 50 cm
excavation depth 70 cm

Attention: Exact measurements may vary, for all installation dimensions refer to current installation instructions.

Technical changes reserved.
Equipment also available with steel feet or made of larch with steel feet.

Technical information

Basic Building Site
refer to Order No. 5.01000

claddings
hut with claddings thickness 4 - 5 cm, de-barked by hand, of non-impregnated mountain larch



Corocord® rope
special ropes of "Hercules type"
six-strand Corocord® rope of the special "Hercules type", abrasion-protected through heating of the six steel strands and melting the polyester sleeve onto them, standard colour red



aluminium swages
double-conical aluminium swages with rounded-off ends



S-clamps
neatly rounded Corocord® S-clamps made of stainless steel, Ø 8 mm



secure rope connection
close fitting connection without dangerous openings



rubber seat
rubber seat with anatomically correct shape, strong profiled steel insert and soft shock absorbing edge



swing joint
drop-forged, hot-dip galvanised swing joint with bush with graphite sleeve for self-lubrication and integrated swivel



adjustable
easy to maintain, no projecting threads after re-tightening due to two-piece bolt connection



strong fastening
bolt connections with milled metal rings for connections that are stressed cross-wise



brass bush
for all to and fro movements we use bush bearings which allow for self-lubrication while in use



one-piece construction
slide made of 2 mm stainless steel, mould-profiled longitudinally, no welding seams along the sliding surface



Firemen's Pole Ø 42 mm, stainless steel, glass bead blasted

sand container of textile-reinforced PAH-free rubber belt, 8 mm thick

Dimensions
(small deviations possible)

height	3.00 m
platform height	1.50 m
platform floor	1.60 x 2.50 m
length	6.25 m
width	7.90 m
vertical net	1.75 x 2.50 m
weight	1200 kg

Please refer to the price list for a more detailed explanation of the quality characteristics.



5.03000