



Order No. 4.24180 Pig

Play value

The friendly wooden animals can be used in versatile ways and are an enjoyable and appealing design element in the area for the smallest children. They can be used as seats or as something to hold onto, as well as being incorporated into role-play games. Their emotional appeal also serves as a basis for creating memories and encourages the child to develop a relationship to the play area.

Fundamental characteristics

- child-oriented dimensions
- emotionally appealing design: chunky, friendly bodies, whiskers
- experience: large, thick trunks with natural phenomena such as year rings, branches, cracks, etc.

Suitable

- for small children's areas of:
 - public playgrounds
 - playgrounds situated near houses
 - children's homes
 - kindergartens
- nurseries

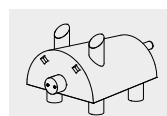


Order No. 4.24210 Cat

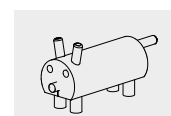


Order No. 4.24190 Mouse

**Pig
Mouse
Cat**



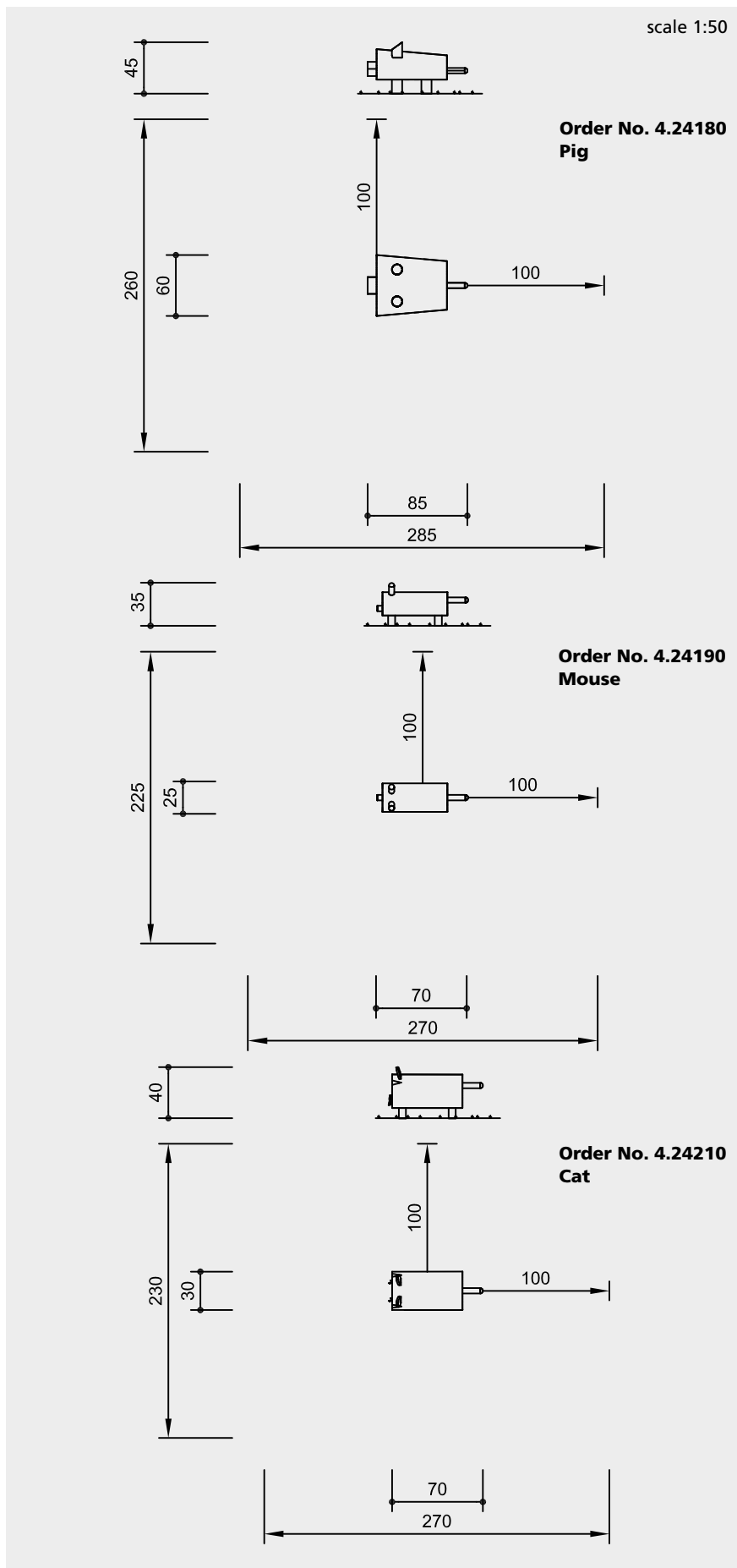
4.24180



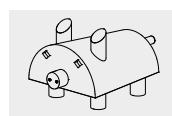
4.24190



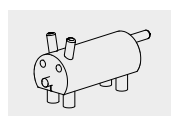
4.24210



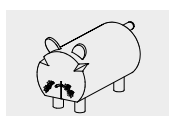
Safety check according to EN 1176



4.24180



4.24190



4.24210

Technical information

de-barked timber

timbers de-barked, made of impregnated mountain larch



ground anchor

all parts used for anchoring to the ground made of hot-dip galvanised steel



chains

short-link chains, 6 mm, welded before hot-dip galvanisation (stainless steel chain available on request)



relief cut

(only 4.24190 and 4.24210)

parts which are not core-free (Mouse, Cat) have a kerf sawn at a suitable section of the trunk to pre-empt cracks that would form naturally or a bore hole as relief



Dimensions

(small deviations possible)

Order No. 4.24180 Pig

height 0.45 m
length 0.85 m
width 0.60 m
weight 40 kg

Order No. 4.24190 Mouse

height 0.35 m
length 0.70 m
width 0.25 m
weight 17 kg

Order No. 4.24210 Cat

height 0.40 m
length 0.70 m
width 0.30 m
weight 25 kg

Components

Order No. 4.24180

1 Pig

Order No. 4.24190

1 Mouse

Order No. 4.24210

1 Cat

each with foundation chain and foundation iron

Installation information

Surfacing requirements corresponding to a fall height of ≤ 0.60 m

(please refer to price list for more detailed information)

Foundations (only necessary in order to immobilise the equipment)

1 item 30 x 30 x 20 cm
excavation depth 50 cm

Attention:

Exact measurements may vary, for all installation dimensions refer to current installation instructions.

Technical changes reserved.

For more detailed explanation of the quality characteristics see price list.