

Rotating equipment

J2400



3+



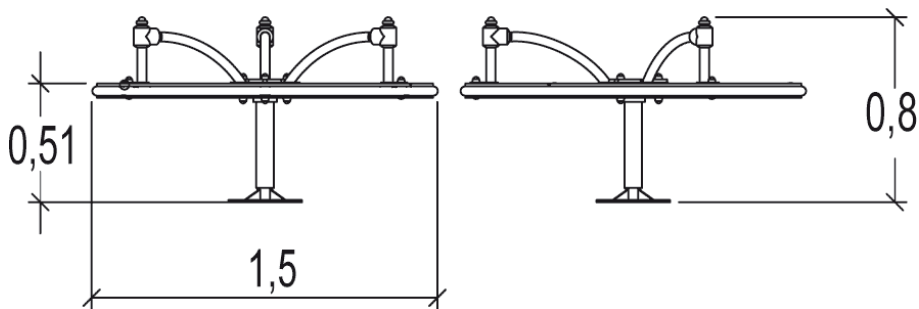
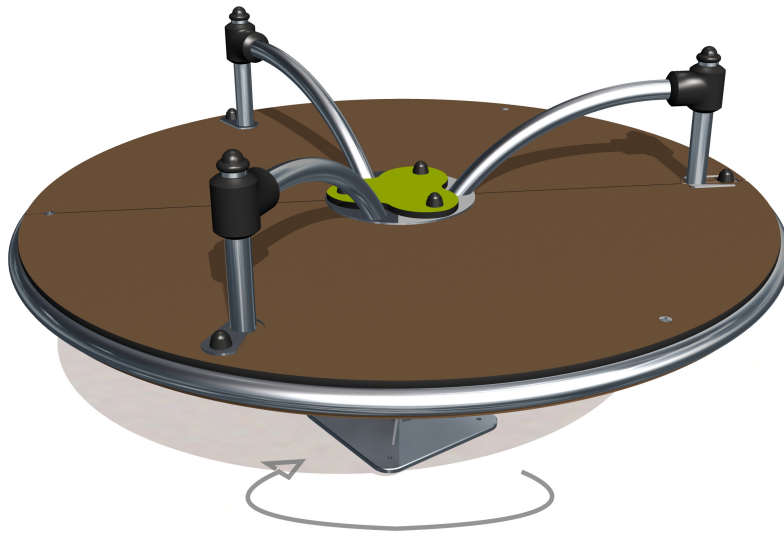
8



1m



1 = 1,5m 2 = 1,5m 3 = 0,78m



Play value

climbing



balancing



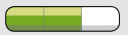
rotating



Accessibility



Motor disability



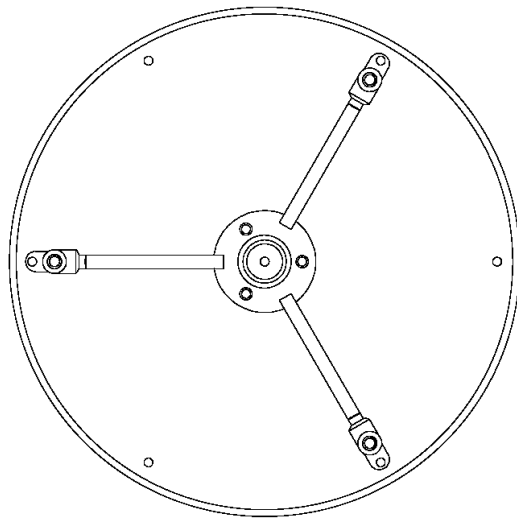
Sensorial Disabilities



Learning Disabilities





Proludic



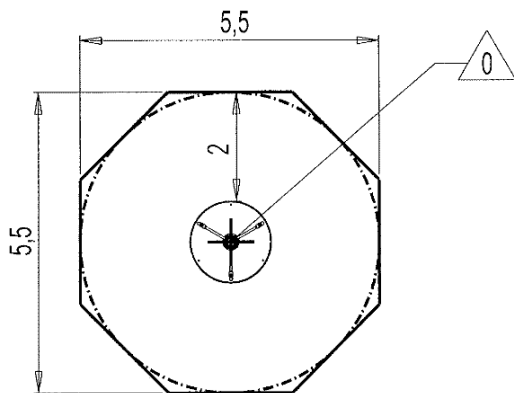
Installation of equipment







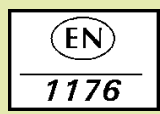

Impact area =

-  Impact area
-  Free space

		
1	1m	25m ²

Point de Référence
Setting Out Point
Punto de referencia
Bezugspunkt



							
2	01h45	0.15m ³	25m ²	98kg	88kg		2002-06-11