

Springers

J986



4+



2

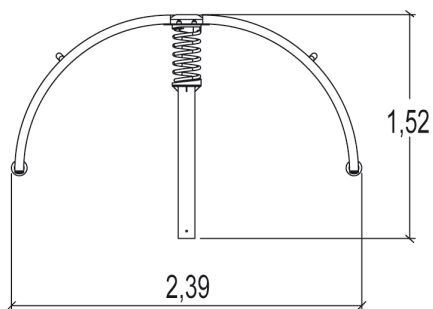
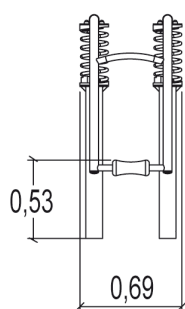


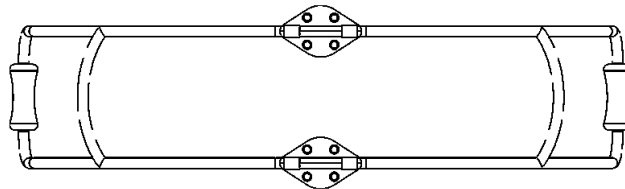
1m



1 = 2,39m 2 = 0,69m 3 = 1,52m

If installed onto wetpour safer surfacing, we recommend a NON-FINES CONCRETE BASE.

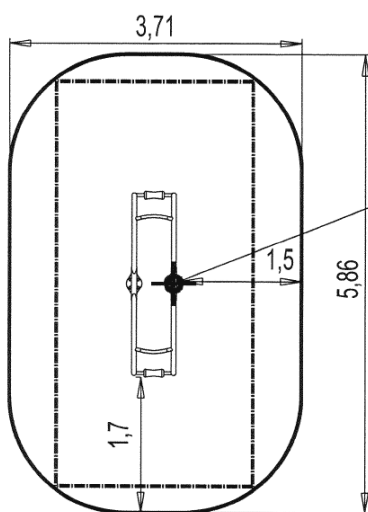






Installation of equipment

Impact area =

-  Impact area
-  Free space



Point de Référence
Setting Out Point
Punto de referencia
Bezugspunkt

| | | |
|---|---|------------------|
|  |  | |
| 1 | 1m | 20m ² |



2



04h00



0.35m³



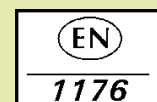
20m²



61kg



45kg



Proludic

2008-03-12