

# Rotating equipment

**J2410**



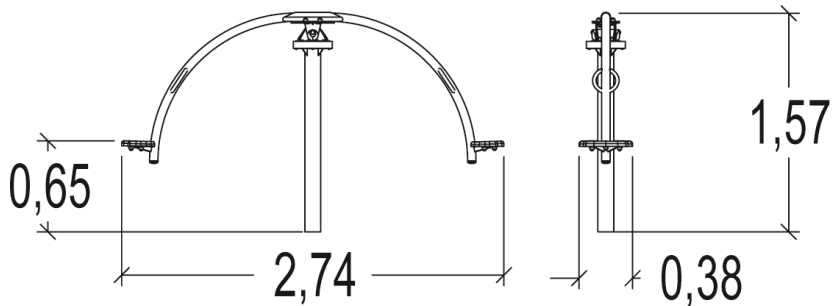
6+

2

1,3m

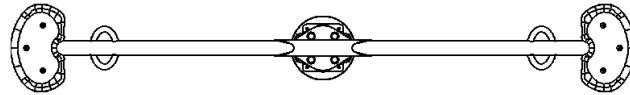
1 = 2,73m 2 = 0,4m 3 = 1,57m

If installed onto wetpour safer surfacing, we recommend a NON-FINES CONCRETE BASE.



Play value	
balancing	rotating

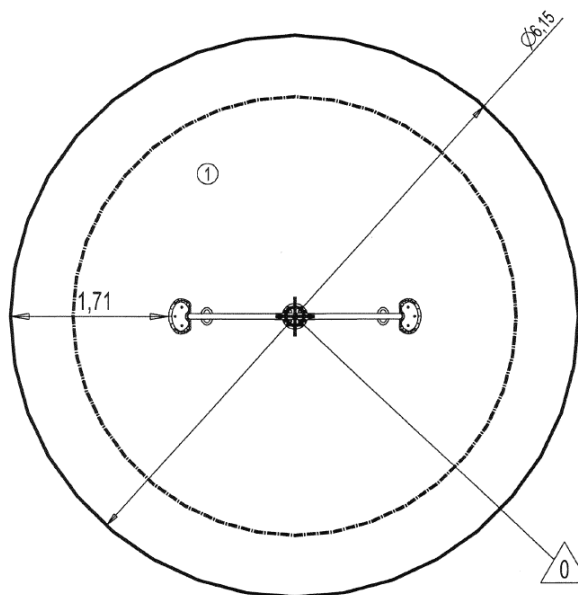
Accessibility	
	Motor disability <input type="checkbox"/>
	Sensorial Disabilities <input checked="" type="checkbox"/>
	Learning Disabilites <input type="checkbox"/>





## Installation of equipment

Impact area =

-  Impact area
-  Free space



Point de Référence  
Setting Out Point  
Punto de referencia  
Bezugspunkt  
Referentiepunt

		
1	1,30m	30m <sup>2</sup>



2



03h00



0.3m<sup>3</sup>



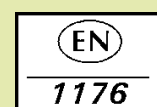
30m<sup>2</sup>



119kg



71kg



*Proludic*

2013-03-14