



6+



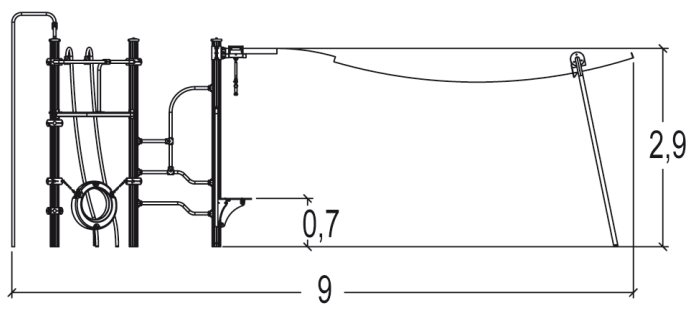
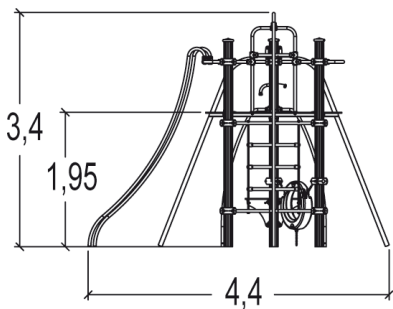
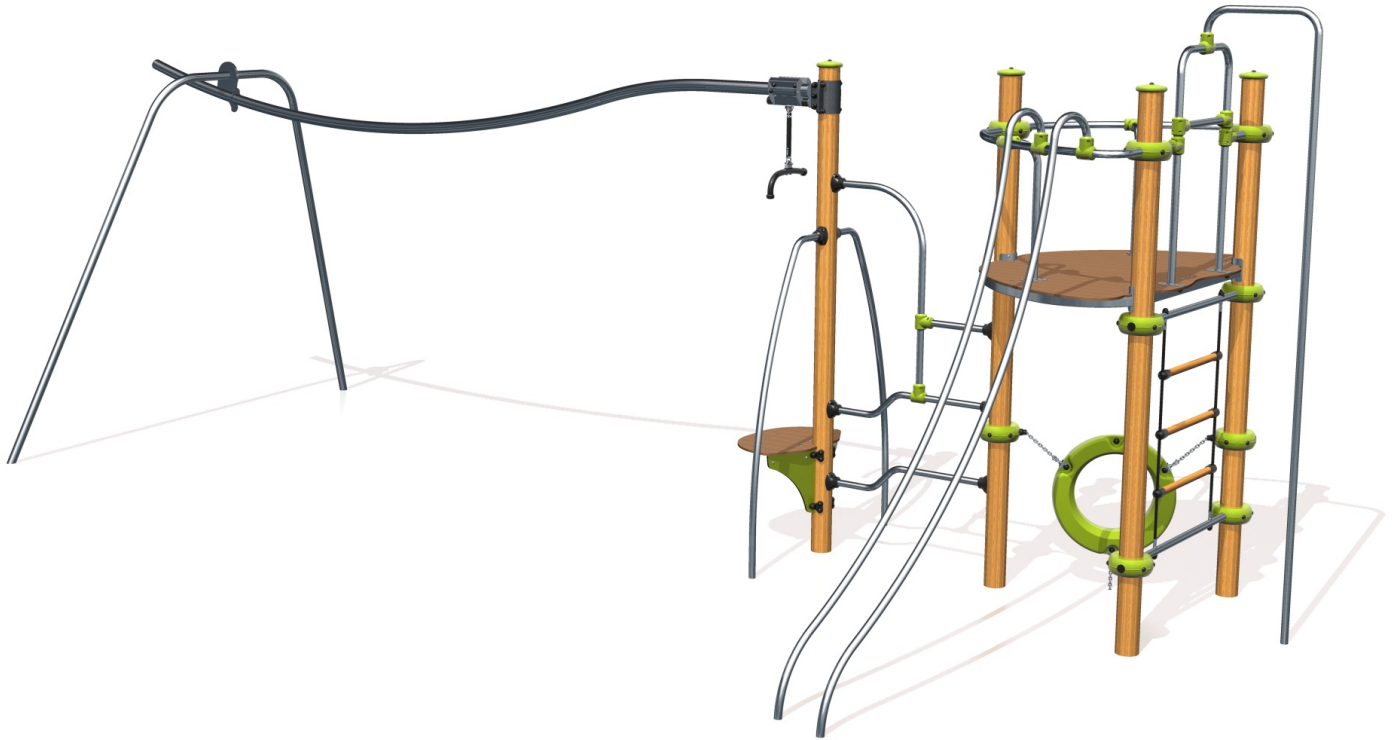
16



2,2m



1 = 9,02m 2 = 4,38m 3 = 3,4m



Play value

sliding



x2

hanging



x1

swinging



x1

climbing



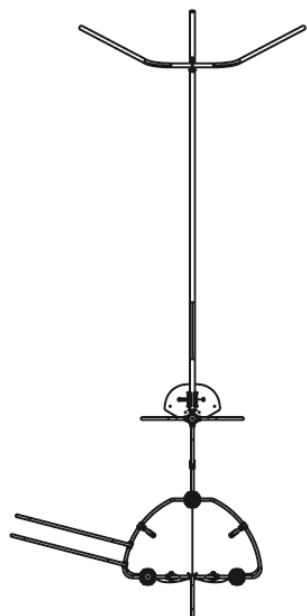
x1

meeting / role play



x1

Number of play elements: 6

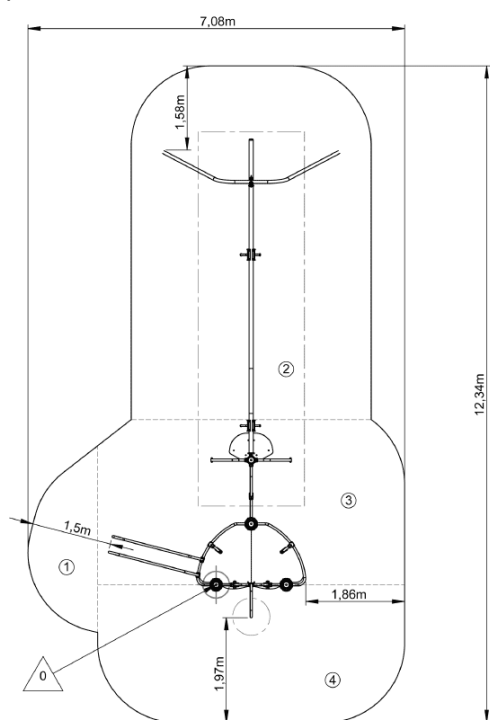


- ① Gamma tower
- ② Delta Straight ladder
- ③ Fireman's pole
- ④ Speed slide
- ⑤ tele IXO
- ⑥ bouée verticale

Installation of equipment

Impact area =

- Impact area
- Free space



1	0,6m	3,5m ²
2	1m	29m ²
3	1,95m	17,5m ²
4	2,2m	14m ²



2



06h00



0.5m³



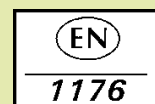
64m²



383kg



39kg



Proludic

0000-00-00