



2-8



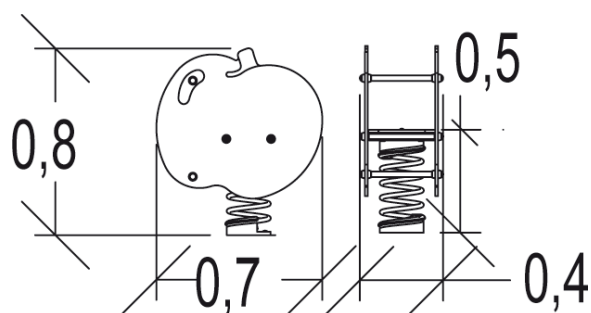
1



0,46m



1 = 0,74m 2 = 0,33m 3 = 0,84m



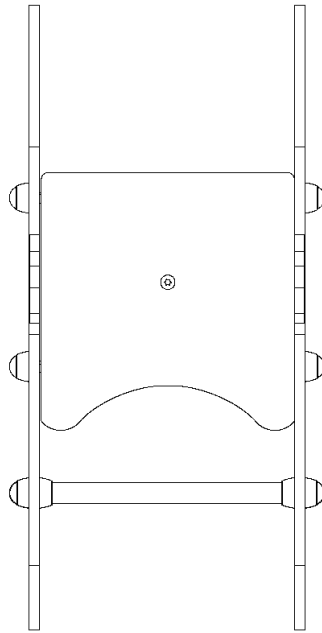
## Play value

balancing



rotating

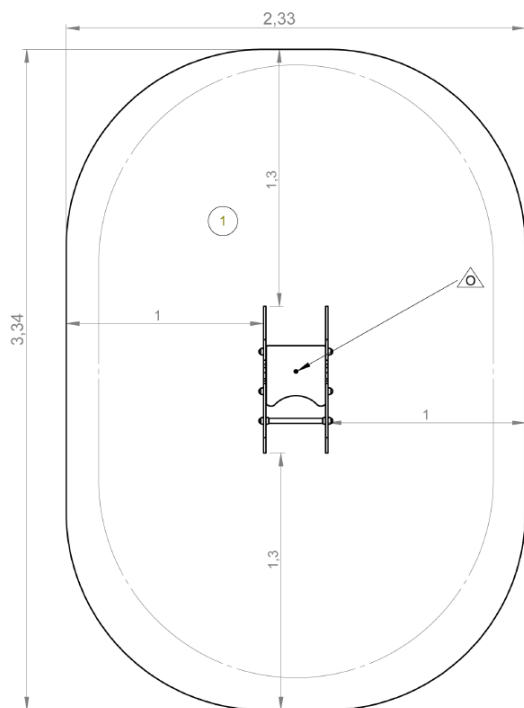






## Installation of equipment

Impact area =

-  Impact area
-  Free space



		
1	0,46m	7m <sup>2</sup>



0



00h00



0m<sup>3</sup>



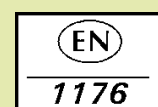
7m<sup>2</sup>



32kg



11kg



*Proludic*

2016-01-08