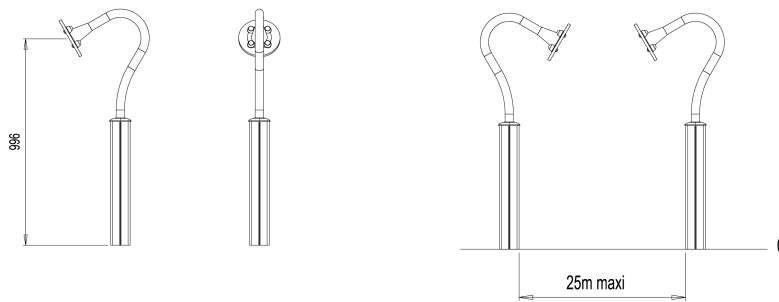



**2+** | **2** | **0m** | **1 = 0,2m 2 = 0,5m 3 = 1,15m**



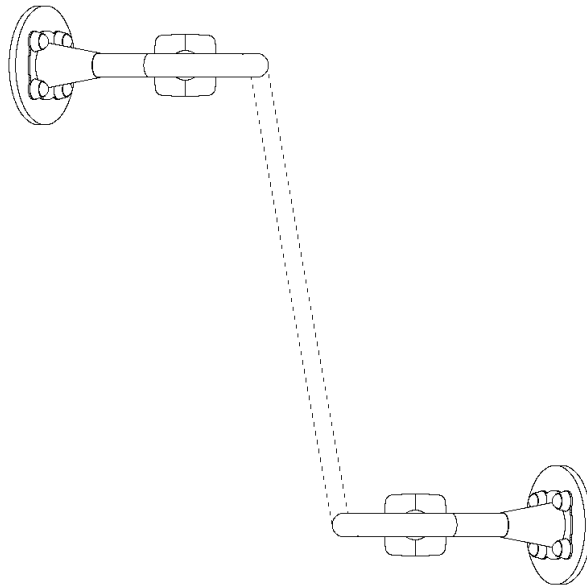
**Play value**

meeting / role play



**Accessibility**

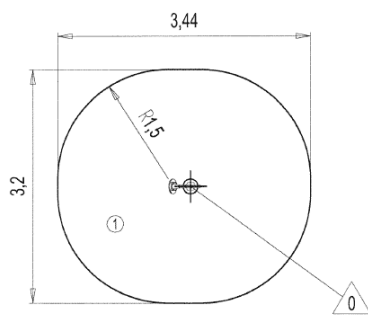
- Motor disability
- Sensorial Disabilities
- Learning Disabilites



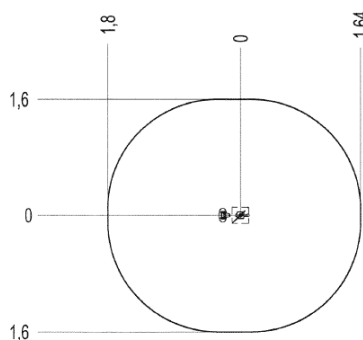
## Installation of equipment



Impact area =

-  Impact area
-  Free space



Point de Référence  
Setting Out Point  
Punto de referencia  
Bezugspunkt  
Referentiepunt



		
1	0m	18m <sup>2</sup>



2



00h00



0.1m<sup>3</sup>



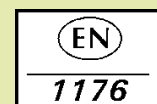
18m<sup>2</sup>



39kg



8kg



*Proludic*

2013-03-07