



6+



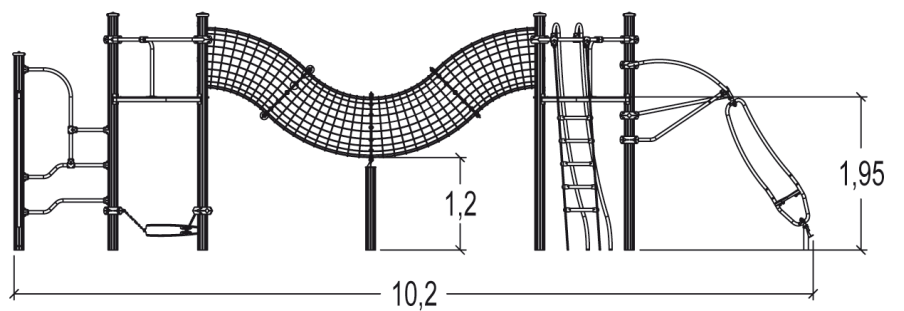
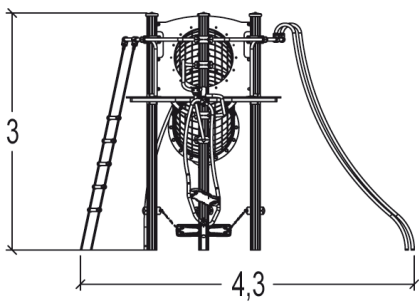
24



1,95m



1 = 9,98m 2 = 4,26m 3 = 3,03m



Play value

sliding



x1

hanging



x1

crawling



x1

rotating



x1

climbing



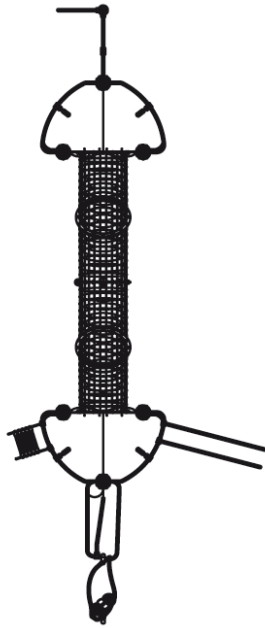
x1

meeting / role play



x2

Number of play elements: 7

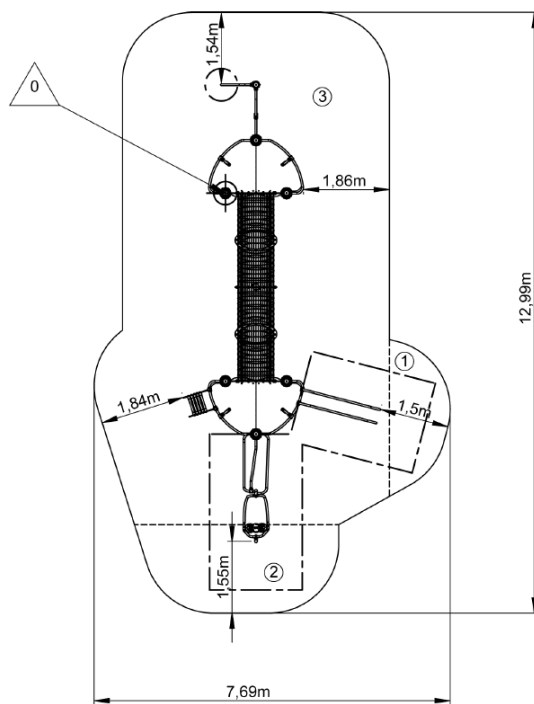




- ① Gyro
- ② Rope ladder
- ③ Speed slide
- ④ tour gamma sans porte
- ⑤ interconnexion
- ⑥ bouée horizontale
- ⑦ Tunnel filaire

Installation of equipment

Impact area =

— Impact area
 - - - Free space



		
1	0,6m	3,5m ²
2	0,7m	7m ²
3	1,95m	63,5m ²



2



07h00



1m³



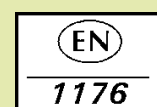
74m²



551kg



35kg



Proludic

0000-00-00