

# Hydraulic stepper

R37-UBX-292B



14+



1



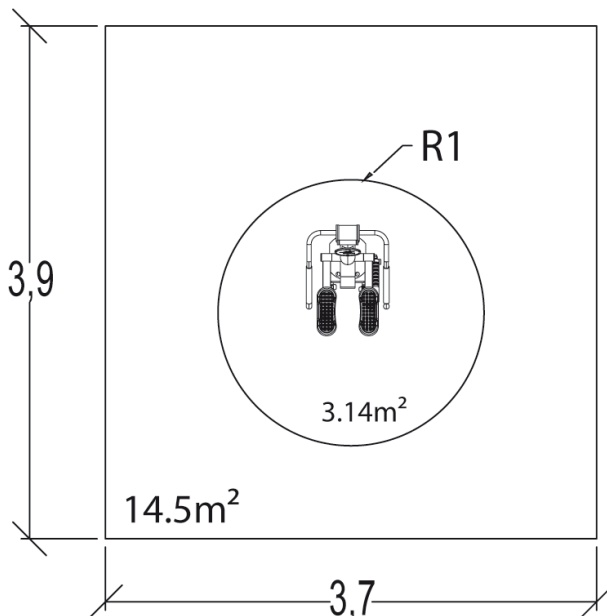
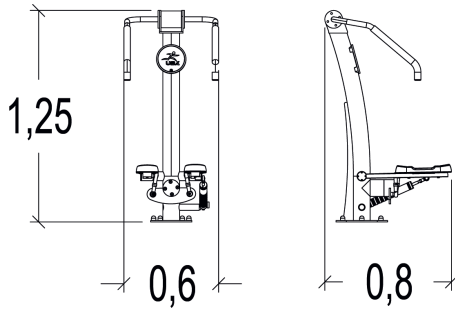
0,57m



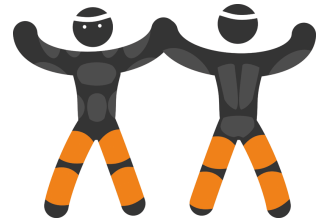
1 = 0,8m 2 = 0,6m 3 = 1,25m



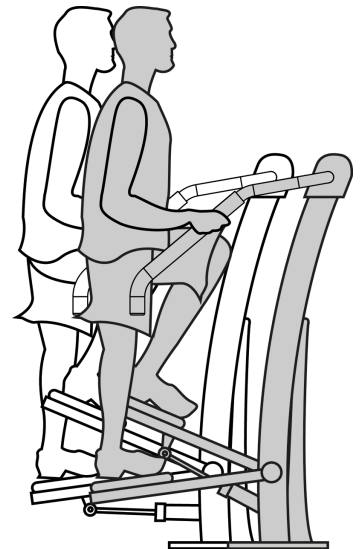
User controlled hydraulic piston



## MUSCULAR STIMULATION



## MOVEMENTS



## CERTIFICATIONS

