



14+



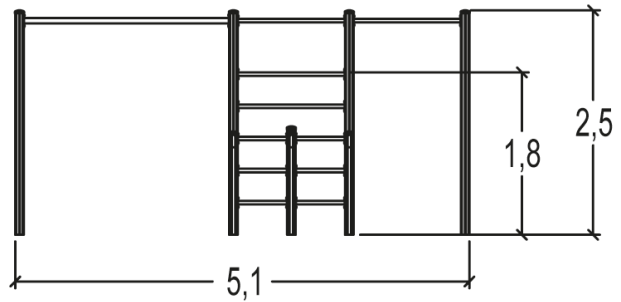
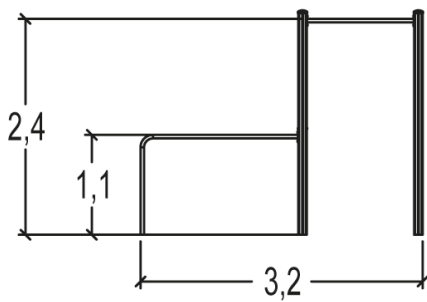
8



1,72m



1 = 5,1m 2 = 3,17m 3 = 2,51m



Play value

hanging



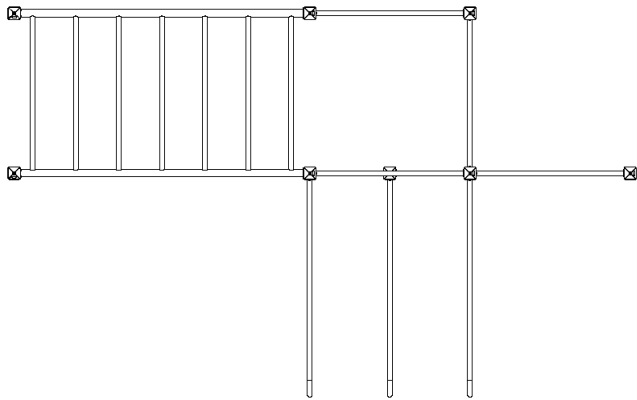
x3

climbing



x1

Number of play elements: 4

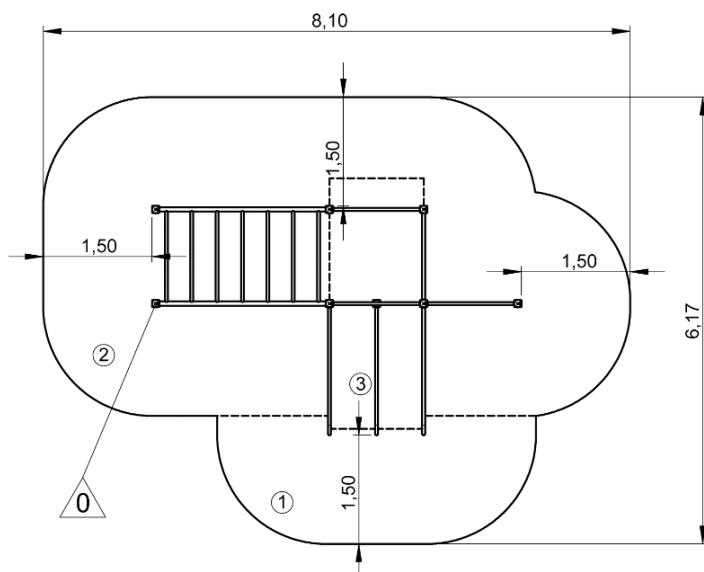


- ① Scale of suspension
- ② Horizontal bar L: 1,2m H: 2,4m
- ③ Set of Wall Bars: H: 1,9m
- ④ Parallel Bars

Installation of equipment

Impact area =

-  Impact area
-  Free space



1	1,12m	6,5m ²
2	1,43m	27,5m ²
3	1,72m	4,5m ²



2



04h30



0.84m³



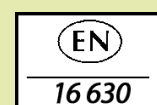
31.5m²



273kg



29kg



Proludic

0000-00-00